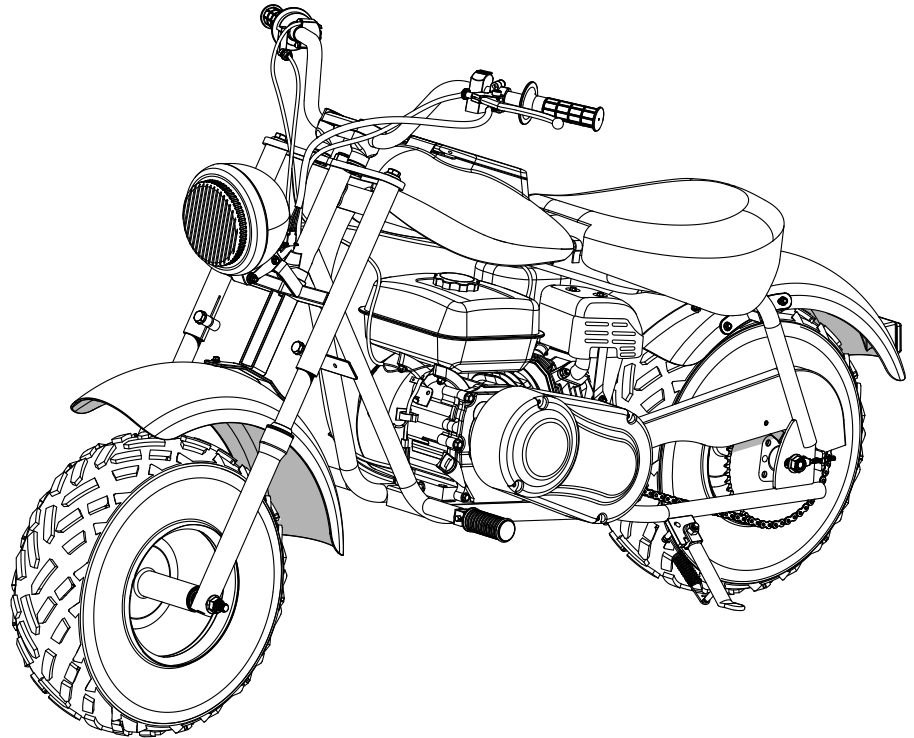


NOTICE	AVISO
    	
<p>Do not use E15, E20, or E85 fuel (or fuel containing greater than 10% ethanol) in this product. It is a violation of federal law and will damage the unit and void your warranty.</p>	
<p>No utilice combustibles E15, E20 o E85 (ni combustibles que contengan más de 10 % de etanol) con este producto. Esto constituye una violación a la ley federal, dañará la unidad y anulará la garantía.</p>	



This mini bike has a minimum age requirement of 16 and a maximum weight capacity of 200 lbs. (91 kg). Always wear all necessary and properly fitting protective equipment when operating this mini bike.

⚠ WARNING: To reduce the risk of injury, the user must read and understand the operator's manual before using this product.

Obtain, review, and follow provincial/municipal government acts and regulations pertaining to owning and operating an off-road vehicle before using this product.

SAVE THIS MANUAL FOR FUTURE REFERENCE

El requisito para usar este mini motocicleta es que el usuario tenga, como mínimo, 16 años. La capacidad de peso máxima de este mini motocicleta es de 91 kg (200 lb). Use siempre todo el equipo de protección que sea necesario y que calce correctamente al operar este mini motocicleta.

⚠ ADVERTENCIA: Para reducir el riesgo de lesiones, el usuario debe leer y comprender el manual del operador antes de usar este producto.

Obtenga, revise y obedezca todas las leyes y reglamentaciones gubernamentales provinciales y municipales relacionadas con la tenencia y la operación de un vehículo todoterreno antes de usar este producto.

GUARDE ESTE MANUAL PARA FUTURAS CONSULTAS

TABLE OF CONTENTS

■ Limited Warranty.....	2
■ Rules for Safe Operation	3
■ Symbols	4
■ Safety Labels.....	5-6
■ Features	7-8
■ Operation.....	9-11
■ Maintenance	12-19
■ Troubleshooting	20
■ Emissions Warranty.....	21
■ Product Specifications	22

LIMITED WARRANTY

KEEP YOUR RECEIPT. Proof of purchase is required to substantiate any warranty claim. **WHAT IS COVERED:** Baja, Inc., (“Baja”) warrants to the original retail purchaser in the United States of America or Canada that this product is free of defects in materials and workmanship and agrees to repair, provide replacement parts, or replace (without charge for parts and/or labor) any product or component part that contains a material defect, which Baja shall determine in its sole discretion, for a period of 6 months from the date of purchase, except as limited below. Warranty service and replacement parts are warranted only for the duration of the warranty on the original product. This product is also covered by an Emissions Control System Warranty which is separate from and in addition to this warranty. All defective parts or products that are replaced under warranty shall become the property of Baja.

WHAT IS NOT COVERED: This warranty does not cover any conditions caused by misuse, abuse, negligence, accident, normal wear and tear, alteration, modification, improper or inadequate maintenance, use of unauthorized replacement parts, operation in any way contrary to the instructions provided in the operator’s manual, or service provided by anyone other than an Authorized Baja Motorsports® Service Center. This warranty does not cover transportation costs for warranty service or pick-up, and those costs will be the sole responsibility of the owner.

This warranty is VOID with respect to any product that has been used for rental purposes, commercial purposes, or that has sustained the following damage:

- Bent or broken frame due to abuse; or
- Bent or broken wheel or wheels due to abuse; or
- Bent or broken fender due to abuse; or
- Any sign of impact, accident, jumping, spin-out or roll over not caused by the condition for which the warranty coverage is sought.

TO OBTAIN SERVICE: Contact Baja toll free at 888-863-2252, Monday through Friday between the hours of 8 AM and 5 PM, Eastern Standard Time (EST). Any approved warranty service will be referred to an Authorized Baja Motorsports® Service Center.

YOUR VEHICLE IS COVERED BY A SEPARATE ENGINE EMISSIONS WARRANTY, SHOWN LATER IN THIS MANUAL. BAJA’S OBLIGATION UNDER THIS WARRANTY IS STRICTLY AND EXCLUSIVELY LIMITED TO THE REPAIR OR REPLACEMENT OF DEFECTIVE PRODUCT OR PARTS AND BAJA DOES NOT AUTHORIZE ANY OTHER PARTY TO ASSUME ITS OBLIGATIONS OTHER THAN OUTLINED IN THIS WARRANTY. NO DEALER OR THIRD PARTY IS AUTHORIZED TO MODIFY THIS WARRANTY. TO THE EXTENT PERMITTED BY APPLICABLE LAW, ANY IMPLIED WARRANTIES GRANTED UNDER STATE LAW, INCLUDING ALL WARRANTIES OF MERCHANTABILITY OR FITNESS FOR A PARTICULAR PURPOSE, THAT CANNOT BE DISCLAIMED ARE LIMITED TO THE STATED 6 MONTH WARRANTY FROM THE DATE OF PURCHASE. BAJA ASSUMES NO RESPONSIBILITY FOR INCIDENTAL, CONSEQUENTIAL, INDIRECT, OR OTHER DAMAGES TO THE MAXIMUM EXTENT ALLOWED BY LAW. IF ANY PROVISION OF THIS WARRANTY IS HELD TO BE INVALID OR UNENFORCEABLE BY A COURT OF COMPETENT JURISDICTION, SUCH PROVISION SHALL BE SEVERABLE AND ITS INVALIDITY SHALL NOT AFFECT ANY OTHER PROVISION OF THIS WARRANTY.

WARNING:

This manual should be considered as a permanent part of the vehicle and should remain with the vehicle when resold or otherwise transferred to a new user or operator. The manual contains important safety information and instructions which should be read carefully before operating the vehicle. All operators should obtain, review, and follow provincial and municipal government acts and regulations pertaining to owning and operating an off-road vehicle. Children under the age of 16 should never operate this vehicle.

RULES FOR SAFE OPERATION

WARNING:

This operator's manual contains important safety and maintenance information. Read it carefully and make sure you understand all included information before riding. Failing to follow the warnings contained in this manual could result in **SERIOUS INJURY** or **DEATH**.

NOTICE TO PARENTS

This mini bike is built for use by persons age 16 and older. Never allow anyone under the age of 16 to operate the mini bike.

It is very important that every person who rides the mini bike complete a training course.

READ ALL INSTRUCTIONS

It is important that this manual remain with the vehicle when you transfer or loan it to another user or owner.

All information, illustrations, photographs and specifications contained in this manual are based on the latest product information available at the time of publication. Due to improvements or other changes, there may be some discrepancies in this manual. We reserve the right to make product changes at any time, without notice and without incurring any obligation to make the same or similar changes to the vehicle previously built or sold.




- Carefully read and understand this manual and all labels and follow the operating procedures described.
- Never operate a mini bike without proper instruction. Take a training course. Beginners should receive training from a certified instructor. Contact an authorized mini bike dealer or call Motorcycle Safety Foundation at 1-800-446-9227 to find out about the training courses nearest you.
- Never carry a passenger on a mini bike.
- Do not start or operate the engine in a confined space, building, near open windows, or in other unventilated space where dangerous carbon monoxide fumes can collect. Carbon monoxide, a colorless, odorless, and extremely dangerous gas, can cause unconsciousness or death.
- Never consume drugs or alcohol before or while operating this mini bike.
- Never operate a mini bike on any paved surfaces, including sidewalks, driveways, parking lots, and streets.
- Never operate a mini bike on any public street, road, or highway, even a dirt or gravel one.
- Never operate the mini bike at night. Night is defined as the period of time 30 minutes before sunset to 30 minutes after sunrise.

- Never operate a mini bike without wearing a DOT or Snell-approved motorcycle helmet that fits properly. You should also wear eye protection (goggles) marked to comply with ANSI Z87.1, gloves, over the ankle boots, long-sleeved shirt or jacket, and long pants.
- Never operate this mini bike at excessive speeds. Always ride at a speed that is proper for the terrain, visibility, operating conditions, and your experience.
- Always keep both hands on the handlebars and both feet on the foot rests of the mini bike during operation.
- Always be careful when skidding or sliding. Learn to safely control skidding or sliding by practicing at low speeds and on level, smooth terrain. On extremely slippery surfaces such as ice, go slowly and be very cautious in order to reduce the chance of skidding or sliding out of control.
- Never operate the mini bike on hills too steep for the mini bike or for your abilities. Practice on smaller hills before attempting larger hills.
- Check the terrain carefully before you start up any hill. Never climb hills with excessively slippery or loose surfaces. Shift your weight forward. Never open the throttle suddenly. Never go over the top of any hill at high speed.
- Never attempt wheelies, jumps, or other stunts.
- Never operate a mini bike in water.
- Always inspect your mini bike each time you use it to make sure it is in safe operating condition. Always follow the inspection and maintenance procedures and schedules described in this manual.
- Never modify a mini bike through improper installation or use of accessories.
- Always use the size and type tires specified in this manual. Always maintain proper tire pressure as described in this manual.
- Check the terrain carefully before you start down any hill. Shift your weight backward. Never go down a hill at high speed.
- Never exceed the stated load capacity of 200 lbs. (91 kg).
- Never ride alone. This mini bike can go 24 miles (38.6 km) in an hour, which may be farther than you can walk back in the event of a problem with the mini bike.
- We believe in conservation and protection of the earth's natural resources. We encourage every vehicle owner and operator to do the same by obeying posted signs and riding only in areas designated and approved for off-road recreational use.











**FOR MORE INFORMATION ABOUT MINI BIKE SAFETY,
CALL BAJA MOTORSPORTS AT 1-866-260-8630.**

SYMBOLS

The following signal words and meanings are intended to explain the levels of risk associated with this product.

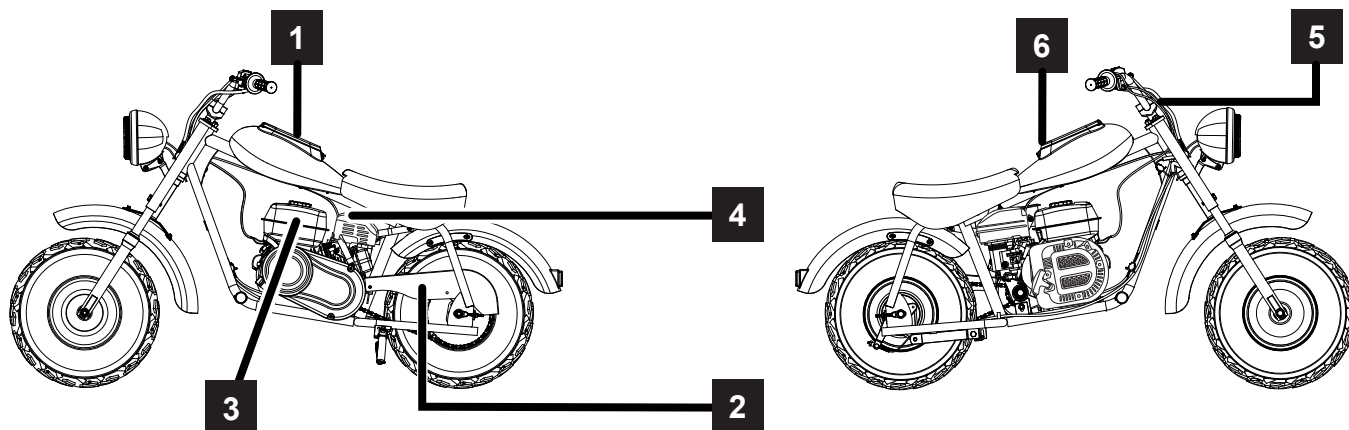
SYMBOL	SIGNAL	MEANING
	DANGER:	Indicates an imminently hazardous situation, which, if not avoided, will result in death or serious injury.
	WARNING:	Indicates a potentially hazardous situation, which, if not avoided, could result in death or serious injury.
	CAUTION:	Indicates a potentially hazardous situation, which, if not avoided, may result in minor or moderate injury.
	NOTICE:	(Without Safety Alert Symbol) Indicates important information not related to an injury hazard, such as a situation that may result in property damage.

Some of the following symbols may be used on this product. Please study them and learn their meaning for safe operation of this product.

SYMBOL	NAME	EXPLANATION
	Safety Alert	Indicates a potential personal injury hazard.
	Read Operator's Manual	To reduce the risk of injury, user must read and understand operator's manual before using this product.
	Wear Eye Protection	Always wear eye protection with side shields (goggles) marked to comply with ANSI Z87.1.
	Wear Protective Gear	Always use an approved helmet and protective gear.
	Public Roads	Never use this mini bike on public roads.
	Passengers	Never carry passengers on this mini bike.
	Drugs and Alcohol	Never use with drugs or alcohol.
	Never attempt wheelies, jumps, or other stunts	Never attempt wheelies, jumps, or other stunts, which can result in death or serious personal injury.
	Age Limit	Never permit children under the age of 16 to operate this mini bike.
	Toxic Fumes	Gas products emit carbon monoxide, an odorless, colorless, poison gas. Breathing carbon monoxide can cause nausea, fainting, or death.

SAFETY LABELS

The following labels are found on the product. For your safety, please review and understand all of the labels before starting the product. If any of the labels come off the unit or become hard to read, contact an authorized service center for replacement.



1

⚠ WARNING ⚠ AVERTISSEMENT ⚠ ADVERTENCIA

Improper use of this vehicle can result in SEVERE INJURY OR DEATH.
L'utilisation incorrecte du ce véhicule peut causer DES BLESSURES SÉVÈRES ou LA MORT.
El uso inadecuado de vehiculo puede provocar LESIONES GRAVES o la MUERTE



Made in China
Fabriqué en Chine
Fabricado en China

- Always use an approved helmet and protective gear / Portez toujours un casque approuvé et un équipement de protection. / Use siempre un casco aprobado y equipo de protección.
- Never use on public roads—a collision can occur with another vehicle. / Ne conduisez jamais sur des voies publiques -- une collision avec un autre véhicule peut se produire. / Nunca use el vehículo en la vía pública -- puede producirse un choque con otro vehículo..
- Never carry passengers/ Ne jamais transporter des passagers / Nunca lleve con pasajeros.
- Never use with drugs or alcohol. / Ne pas utiliser avec les drogues ou l'alcool. / Nunca lo utilice con drogas o alcohol.
- Never attempt wheelies, jumps or other stunts. / Ne tentez jamais de wheelies, des sauts, ou autres cascades / No intente hacer acrobacias, saltos u otras acrobacias.

NEVER operate / Ne conduisez JAMAIS / NUNCA opere el vehículo :

- without proper training or instruction. / sans avoir reçu une formation et des instructions appropriées. / sin capacitación o instrucción adecuadas.
- at speeds too fast for your skills or the conditions / à des vitesses inadéquates pour votre habilité ou aux conditions. / a velocidades demasiado rápidas para sus habilidades o respecto de las condiciones.

The operator must ALWAYS / L'utilisateur doit TOUJOURS / El operador SIEMPRE debe :

- use proper riding techniques to avoid vehicle overturns on hills and rough terrain and in turns. / utilisez des techniques de conduire adéquates afin d'éviter le renversement du véhicule sur des collines, des terrains accidentés et pendant les virages. / usar técnicas de desplazamiento adecuadas para evitar que el vehículo se vuelque en las colinas, en terrenos áridos y en las curvas.
- avoid paved surfaces—pavement may seriously affect handling and control. / évitez les surfaces pavées. Celles-ci peuvent sérieusement affecter la manipulation et le contrôle. / evitar superficies pavimentadas: el pavimento puede afectar seriamente las maniobras y el control.

NOTICE / AVIS / AVISO




DO NOT USE FUEL CONTAINING MORE THAN 10% ETHANOL. IT IS A VIOLATION OF U.S. FEDERAL LAW, WILL DAMAGE YOUR PRODUCT, AND VOID THE WARRANTY.
N'UTILISEZ PAS DE CARBURANT CONTENANT PLUS DE 10% D'ÉTHANOL, EST UNE VIOLATION DES LÉGISLATION FÉDÉRALE AMÉRICAINE, PEUT ENDOMMAGER LE PRODUIT ET ANNULER LA GARANTIE.
NO UTILICE COMBUSTIBLE QUE CONTENGA MÁS DE UN 10% DE ETANOL, ES UNA VIOLACIÓN DE LA LEY FEDERAL DE EE.UU., PODRÍA DAÑAR EL PRODUCTO Y ANULAR LA GARANTÍA.

© 2014 Baja Inc. All Rights Reserved.

SAFETY LABELS

2

⚠ WARNING ⚠ AVERTISSEMENT ⚠ ADVERTENCIA



Moving parts can crush and cut. Keep hands clear. Do not operate with guard removed.
Les pièces mobiles peuvent broyer et couper. Garder les mains éloignées. Ne pas conduire si les dispositifs de sécurité sont retirés.
Partes en movimiento pueden raspar o cortar. Mantenga sus manos libres. No la utilice sin la cubierta.

Improper tire pressure or overloading can cause loss of control. Loss of control can result in severe injury or death. Check pressures on all tires only when tires are cold.
Une pression des pneus inadéquate ou une surcharge peuvent provoquer la perte de contrôle du véhicule. La perte de contrôle du véhicule peut causer des blessures sévères ou la mort. Vérifiez la pression de tous les pneus seulement quand les pneus sont froids.
La presión incorrecta de los neumáticos o su sobrecarga pueden causar la pérdida de control. La pérdida de control puede provocar lesiones serias o la muerte. Revise la presión de aire en todas las llantas solamente cuando estén frías.

COLD TIRE PRESSURE / PRESSION DES PNEUS A FROID / PRESION DE LOS NEUMATICOS EN FRIO
Recommended / Reconnmandé / Recomendada : **12 psi (82.7 kpa)**

Operating this vehicle if you are under the age of 16 increases your chance of severe injury or death.
L'utilisation de cette motocyclette hors route par des enfants de moins de 16 ans augmente le risque de blessures graves ou de mort.
Operar este modos carretera cuando es menor de 16 años aumenta la posibilidad de lesiones graves o la muerte.
NEVER permit children under age 16 to operate this vehicle.
Ne permettez JAMAIS aux enfants de moins de 16 ans d'utiliser ce motocyclette.
NUNCA permita qu los niños menores de 16 años operen este modos.


UNDER
16

MOINS DE
16 ANS

MENORES DE
16 Años

3

⚠ DANGER ⚠ DANGER ⚠ PELIGRO



Risk of Fire. Check for any fuel overflow or leaking. Stop the engine before refueling.
Risque d'incendie. Vérifier l'absence de débordement ou de fuite de carburant. Arrêter le moteur avant de fair le plein.
Riesgo de incendio. Revise si hay algún derrame o fuga de combustible. Apague el motor antes de poner combustible.

4



⚠ WARNING
HOT SURFACE

⚠ AVERTISSEMENT
SURFACES CHAUDE

⚠ ADVERTENCIA
SUPERFICIA CALIENTE

VEHICLE IDENTIFICATION NUMBER (VIN) AND ENGINE SERIAL NUMBER LOCATION

You need to know the VIN and engine serial numbers to get title documents for the mini bike. You also need these numbers to order parts from your authorized service center or Baja Motorsports.

The VIN number is stamped on the right side of the mini bike frame. The engine serial number is located on the left side of the engine housing.

Write down the serial numbers here for your future reference:

VIN:

Engine No:

5

⚠ WARNING ⚠ AVERTISSEMENT ⚠ ADVERTENCIA

DO NOT RIDE AT NIGHT. WEAR A HELMET.
NE PAS CONDUIRE DURANT LA NUIT. PORTER UN CASQUE.
NO CONDUZCA DE NOCHE. USAR UN CASCO.





For customer service call /
Pour service à la clientèle téléphoner /
Para servicio al cliente llame
1-888-863-BAJA
(2252)

6

⚠ WARNING ⚠ AVERTISSEMENT ⚠ ADVERTENCIA

This vehicle is an off-road motorcycle and is not intended for use on public highways.
Este vehículo es uno modos carretera y no es para uso en autopistas públicas.
Ce véhicule est une motocyclette hors route qui n'est pas être utilisée sur les voies publiques.

FEATURES

Brake lever — The brake can be applied by squeezing the brake lever.

Engine switch — The engine switch must be placed in the ON position to start the engine. To stop the engine, place the switch in the OFF position.

Fuel valve — This vehicle has one manually operated fuel valve featuring 2 positions.

In the ON position, fuel is allowed to flow into the carburetor when the engine is running or being started.

In the OFF position, fuel is shut off from the carburetor. The fuel valve needs to be placed in this position when the mini bike is not in use.

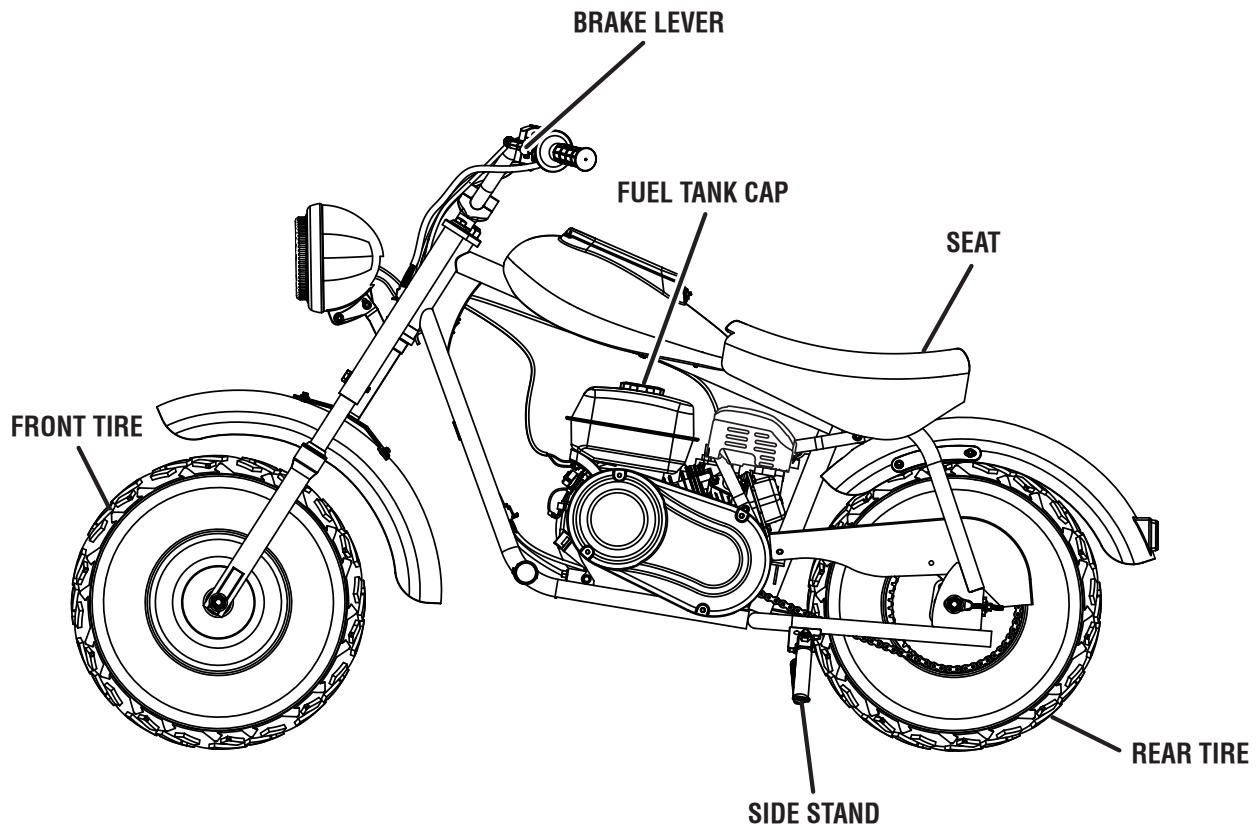
Fuel tank cap — To open the fuel tank cap, turn the cap counterclockwise. To close, turn the cap clockwise and tighten it securely.

Light switch — Turns headlight on and off.

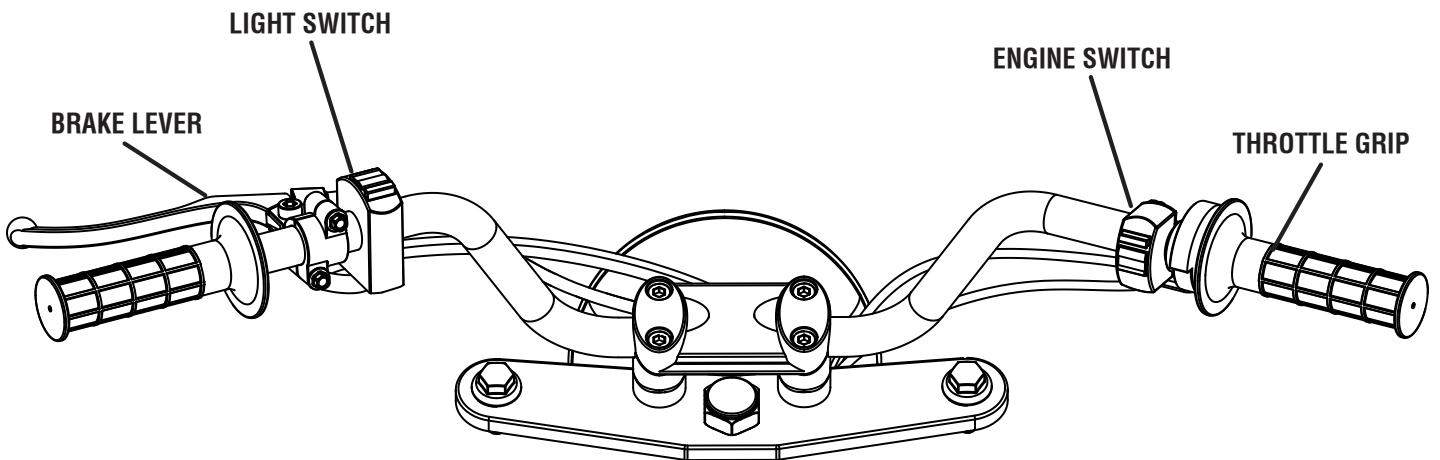
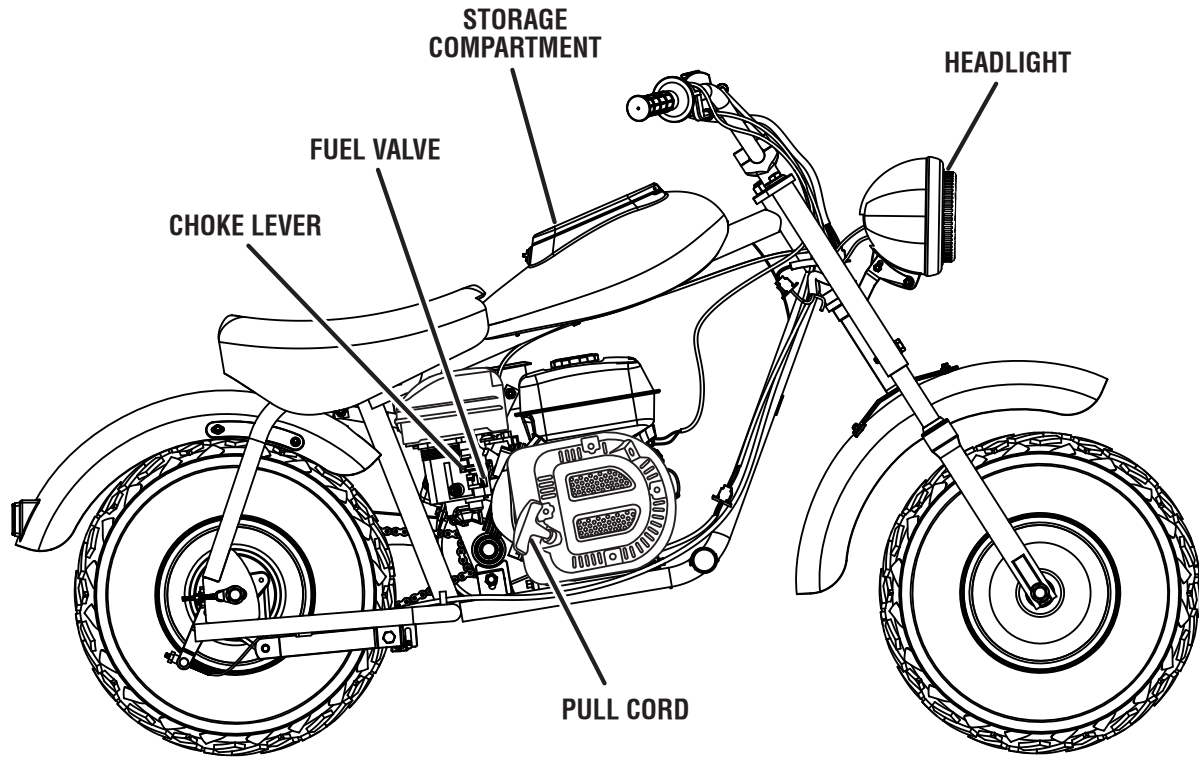
Manual choke lever — When engine is cold, place the choke lever in the ON position. When engine has warmed up, move lever back to the OFF position.

Pull cord — Pull the pull cord to start the engine.

Throttle grip — Controls engine and mini bike speed. Rotate the throttle grip backward (toward operator) to increase engine and mini bike speed. Rotate the throttle grip forward (away from operator) to decrease engine and mini bike speed.



FEATURES



OPERATION

WARNING:

Always wear appropriate protective clothing and accessories: a properly fitting helmet, eye protection (goggles) marked to comply with ANSI Z87.1, gloves, over the ankle boots, long-sleeved shirt or jacket, chest protector, and long pants.

WARNING:

Always wear eye protection with side shields (goggles) marked to comply with ANSI Z87.1. Failure to do so could result in objects being thrown into your eyes, resulting in possible serious injury.

WARNING:

Do not allow familiarity with product to make you careless. Remember that a careless fraction of a second is sufficient to inflict serious injury.

SAFETY GEAR

A DOT or Snell-approved motorcycle helmet is the most important part of your safety gear because it can help prevent a serious head injury. Choose a helmet that fits snugly. Retailers can help in selecting a good quality helmet which fits properly.

Always wear eye protection when you ride. If a rock or branch hit your eyes, you could be severely injured. Wear shatter-proof goggles that are marked to comply with ANSI Z87.1.

BREAK-IN

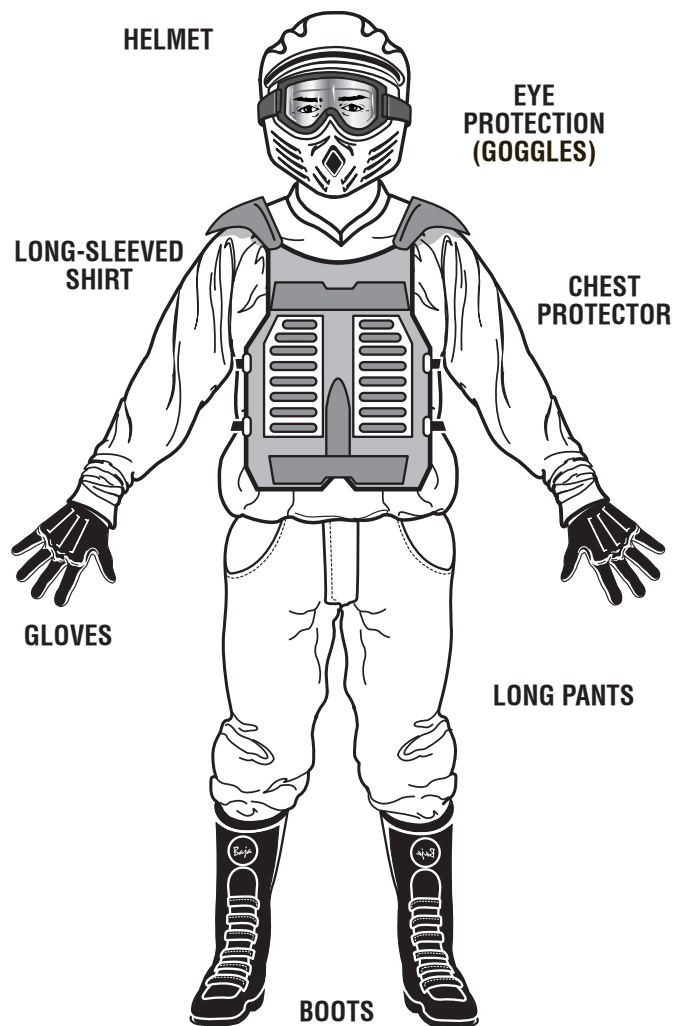
NOTICE:

Carefully and correctly follow the break-in procedures. Failure to follow the break-in procedures can significantly shorten the life of your mini bike by causing excessive wear and damaging the engine.

The first month is the most important in the life of your vehicle. Proper operating during this break-in period will be helpful for assuring maximum life and performance of your new mini bike. The following guidelines explain proper break-in procedures.

Vary the engine rotating speed. Vary the engine rotating speed during the break-in period. This allows the parts to “load” and then “unload” (allowing the parts to cool). Although it is essential to place some stress on the engine components during break-in, you must be careful not to load the engine too much.

Avoid constant low or high rotating speed. Operating the engine at constant low rotating speed (light load) can cause parts to glaze and not seal properly. Operating the engine at a constant high rotating speed can cause excessive heat, which can damage internal components. Allow the engine to accelerate freely without exceeding the maximum throttle limit.



Allow the engine lubricant to circulate before riding. Allow enough idling time after warm or cold engine starting. This allows the lubricant to reach all critical engine components.

Observe and document your initial and most critical service. The initial service (break-in maintenance) is the most important service that your vehicle will receive. Observing a proper break-in operating, will help engine components seal properly. Maintenance required as part of the initial service includes proper adjustments, tightening of all bolts and nuts, and replacement of dirty oil. Timely performance of this service will help you get the best service life and performance of the engine.

WARNING:

Always inspect your mini bike according to the pre-ride inspection checklist each time before riding and make sure it is in a safe operating condition. Failure to inspect the mini bike before operating could increase the chance of an accident, resulting in serious personal injury or equipment damage.

OPERATION

WARNING:

Always use the size and type of tires specified in this Operator's Manual. Always maintain proper tire pressure as described in the *Maintenance* section of this manual and on the unit. Operating this mini bike with improper tires, or improper tire air pressure, could be hazardous. If you use improper tires or improper air pressure, you may lose control of the mini bike and cause an accident, which could result in serious personal injury.

WHAT YOU SHOULD KNOW BEFORE RIDING

Before riding, you should read carefully and understand all the following information, in addition to being thoroughly familiar with the *Rules for Safe Operation* in the front of this manual. If you are properly prepared, you will have a more enjoyable ride.

Before riding, you should find a flat, open area with enough space to practice the skills.

WARNING:

The risk of an accident is greatly increased if the operator does not know how to operate the mini bike properly in different situations and on different types of terrain. Beginning and inexperienced operators should complete the certified training courses offered by the Motorcycle Safety Foundation (www.msf-usa.org). They should then regularly practice the skills learned in the course and the operating techniques described in the Operator's Manual. Failure to follow safe and proper operating techniques could result in serious personal injury.

For more information about the training course, contact an authorized mini bike dealer or call the Motorcycle Safety Foundation at 1-800-446-9227. For more information on mini bike safety, contact the Baja Mini Bike Safety Hotline at: 1-866-260-8630.

Do not operate the mini bike indoors where there is little or no ventilation. Breathing in exhaust gasses from the mini bike could cause severe injury or death. Always run your mini bike outdoors where there is fresh air.

Make sure it is legal to ride in the area you selected; comply with all laws and make sure you are not trespassing. Call the police if you don't know where you can ride.

Protect your riding areas. When you are riding, remember to keep the terrain in good condition. Don't destroy plants, trees, or other vegetation. Don't litter and don't bother wildlife. With your help, your riding area can remain open for use in the future.

After you have found a good place to practice, review the control system on your mini bike before riding. Learn to find these controls without looking for them, because you will not have time to look for them when you are riding.

NOTE: Obtain, review, and follow all laws, acts, and regulations pertaining to owning and operating an off-road vehicle.

WARNING:

Never ride your mini bike on a frozen lake or river. Serious injury or death could occur if the ice breaks.

OXYGENATED FUELS

NOTICE:

Do not use E15, E20, or E85 fuel (or fuel containing greater than 10% ethanol) in this product. It is a violation of federal law and will damage the unit and void your warranty.

Fuel system damage or performance problems resulting from the use of an oxygenated fuel containing more than the percentage of oxygenates stated below **are not covered under warranty**.

Ethanol. Gasoline containing up to 10% ethanol by volume (commonly referred to as E10) is acceptable. **E15, E20, and E85 are not.**

FUELING/REFUELING THE MINI BIKE

WARNING:

Gasoline and its vapors are highly flammable and explosive. To prevent serious personal injury and property damage, handle it with care. Keep away from ignition sources and open flames, handle outdoors only, do not smoke, and wipe up spills immediately.

WARNING:

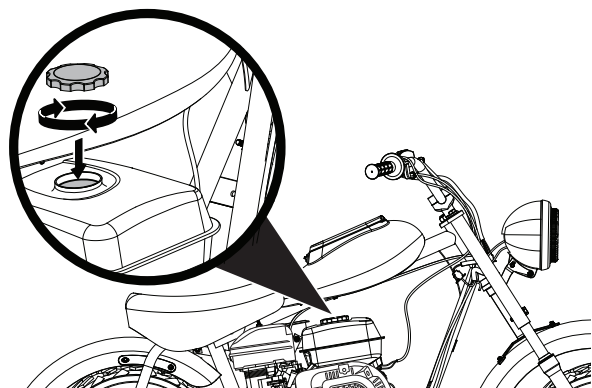
Improper fueling of the mini bike could be hazardous. Failing to follow safety precautions when refueling could result in a fire or explosion or let you breathe toxic fumes, causing serious personal injury.

WARNING:

Always shut off engine before fueling. Never add fuel to a mini bike with a running or hot engine. Do not smoke or allow flame or spark in the vicinity while the unit is being refueled. Always work in a well-ventilated area. Move at least 30 ft. (9.1 m) from refueling site before starting engine. Improper handling of fuel could result in serious personal injury.

- Allow unit to cool down prior to refueling and restarting.
- Clean surface around fuel cap to prevent contamination.
- Slowly turn the fuel tank cap counterclockwise and remove.

OPERATION



⚠️ WARNING:

If a whistling sound is heard when loosening the fuel tank cap, have the vehicle inspected and repaired before continued operation. Failure to do so could cause the fuel to overheat, resulting in a fire or explosion causing serious personal injury.

- Carefully pour fuel into the tank until the level reaches approximately 2 in. below the top of the fuel tank opening. Avoid spillage.
- Replace fuel tank cap and turn clockwise to secure.

⚠️ WARNING:

Check for fuel leaks. A leaking fuel cap is a fire hazard and must be replaced with an original manufacturer's replacement cap immediately. If you find any leaks, correct the problem before using the product. Failure to do so could result in a fire that could cause serious personal injury.

⚠️ WARNING:

Overfilling the fuel tank could be hazardous. If you overfill the fuel tank, fuel may overflow when it expands due to heat from engine or sun. Spilled fuel could catch fire or explode, resulting in serious personal injury.

⚠️ WARNING:

Failure to complete the pre-ride inspection and verify proper performance of the mini bike before riding can result in serious personal injury.

PRE-RIDE INSPECTION

ITEM TO CHECK	ITEM MUST PERFORM AS FOLLOWS:
Steering	Smoothness; no restriction of movement; no play or looseness.
Brakes	Proper brake lever free play; enough brake force.
Tires	Proper air pressure; enough tread depth; no cracks, rips, or other damages.

Fuel	Enough fuel for the intended trip.
Fuel cap	No damage to fuel tank or cap; fuel tank cap closed securely.
Engine stop switch	Proper operation of switch. Start engine, then press stop switch. Engine should stop.
Engine lubricant	Proper level; check lubricant by inspecting engine oil dip stick. The engine lubricant should be between the minimum and maximum lines.
Throttle	Proper free play of throttle grip; smooth response; quick return to idle position.
General condition	Bolts and nuts are tight; no rattle from any parts of the engine when running; no visible evidence of damage including frame cracks.

STARTING THE ENGINE

- Place the engine switch in the ON position.
- Turn the fuel valve to the ON position.
- Place the choke lever in the ON position.
- Pull the pull cord sharply until the engine runs. Return the cord gently to the unit. Do not allow it to snap back.
- Allow engine to warm, then move the choke lever to the OFF position.

NOTE: The engine may run best with the choke lever between the ON and OFF positions.

⚠️ WARNING:

Always open the throttle gradually when you want to accelerate. Opening the throttle suddenly could cause the front wheel to leave the ground and cause loss of control of the mini bike causing serious personal injury.

⚠️ WARNING:

Always keep both hands on the handlebars and both feet on the foot rests of your mini bike during operation. Removing even one hand or foot can reduce your ability to control the mini bike or could cause you to lose your balance and fall off the mini bike. If you remove a foot from the foot rest, you may come in contact with the mini bike, ground, obstacles, etc., which could cause an accident and result in serious personal injury.

STOPPING THE ENGINE

- Rotate the throttle grip forward (away from you) to slow down the engine.
- Place the engine switch in the OFF position.
- Place the choke lever in the OFF position.
- Turn the fuel valve to the OFF position.

MAINTENANCE

INSPECTION AND MAINTENANCE SCHEDULE

It is very important to inspect and maintain your mini bike regularly. Follow the guidelines in the chart below. The intervals between periodic services in months are shown. At the end of each interval, be sure to perform and document the maintenance listed.

A repair shop or person of the owner's choosing may maintain, replace, or repair emission-control devices and systems.

WARNING:

Failing to perform recommended maintenance or performing maintenance improperly can lead to an accident and cause serious personal injury, cause noncompliance to emissions regulations, and may void your warranty. If you are not sure how to perform the maintenance items below, contact your Baja authorized service center or Baja Motorsports.

Item	Each Use	First month or 20 hours	Every 3 months or 50 hours	Every 6 months or 100 hours	Every year or 300 hours
Engine Oil – Check	X				
Engine Oil – Change*		X		X	
Air Filter – Check	X				
Air Filter – Clean*			X	X	
Air Filter – Change*					X
Carburetor Sediment Cup – Clean*				X	
Spark Plug – Check, Adjust				X	
Spark Plug – Replace					X
Idle Speed – Check, Adjust					X
Fuel Tube – Check					X
Centrifugal Clutch – Clean and Lube	X Every 5 hours				
Front Suspension Bolts – Tighten to Spec	X				
Nuts and Bolts – Check for Tightness	X				
Chain Tension – Check	X				
Brakes – Check*	X				
Throttle – Check*	X				
Throttle Cable – Check*	X				

* – This item of maintenance should be carried out at a service center. It may also be done by the user with reference to this manual provided special tools and authorized spare parts are used. The user must also be capable of completing the procedure.

NOTICE:

If you operate your mini bike under severe conditions, it will need maintenance more often than shown in the chart above. Severe conditions include operating under frequent full throttle or in dusty, wet, sandy, or muddy areas. If you have questions regarding appropriate maintenance intervals for your mini bike, contact your Baja authorized service center or Baja Motorsports.

MAINTENANCE

⚠ WARNING:

Before inspecting, cleaning, or servicing the mini bike, shut off engine, wait for all moving parts to stop, ensure engine switch is in OFF position and disconnect the spark plug wire. Failure to follow these instructions can result in serious personal injury or property damage.

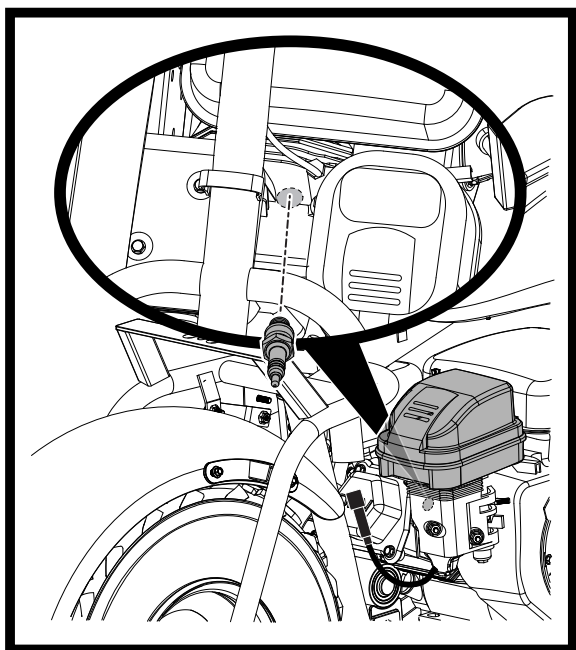
SPARK PLUG

Your mini bike is equipped with an NGK BP6ES spark plug. To determine if the standard spark plug is in good condition, check the color of the plug's center electrode insulator after vehicle operation. A brown color indicates that the plug is correct. A white or dark insulator indicates that the engine may need adjustment or another plug type may be needed. Consult your authorized dealer or Baja Motorsports if your plug insulator is not a light brown color.

NOTE: This mini bike uses a resistor-type spark plug to avoid jamming electronic parts. Improper spark plug selection may cause electronic interference with your mini bike's ignition system, resulting in the vehicle performance problems. It could also have an incorrect fit or heat range for your engine, which could cause severe engine damage and void the warranty. Use only recommended spark plug NGK BP6ES or suitable equivalent.

To install a spark plug, turn it in as far as possible with your fingers, then tighten it with a wrench about 1/2 turn past finger tight (if the spark plug is new) or 1/4 turn past finger tight (if you are reinstalling the old spark plug). Be careful not to cross-thread the spark plug, which could damage the aluminum threads of the cylinder head.

To maintain a proper functioning spark plug, keep the plug free of carbon. Remove carbon from the plug with a wire or pin and adjust the gap to 0.024-0.028 in. (0.6-0.7 mm) for good ignition. Use a thickness gauge to check the gap.



NOTICE:

Keep the spark plug hole covered while the spark plug is removed so that dirt does not enter the open hole. Dirt entering the spark plug hole in the cylinder could damage engine parts that move.

CHANGING/ADDING ENGINE LUBRICANT

Engine lubricant has a major influence on engine performance and service life. Engine lubricant level should be checked before each use of the mini bike.

For best engine performance, change the lubricant every 20 to 40 hours of operation. In dirty and dusty areas, the lubricant should be changed more often.

Reference the chart below for the appropriate engine lubricant to use based on the temperature range in your area.

NOTE: In very cold weather [below 5°F (15°C)], use SAE10W-50 for good starting and smooth operation.

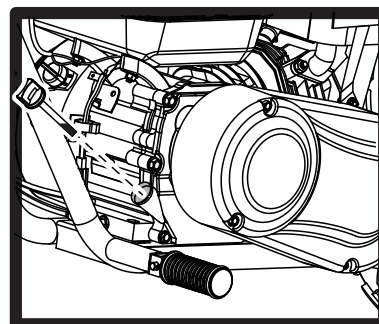
ENGINE LUBRICANT	SAE 10W-30							
	SAE 20W-40							
TEMP.	SAE 10W-50							
	SAE 15W-40							
°C	-30	-20	-10	0	10	20	30	40
°F	-22	-4	14	32	50	68	86	104

Always use a 4-stroke motor lubricant that meets or exceeds the requirements for API service classification SJ. Check lubricant level before each use.

NOTE: Non-detergent or 2-stroke engine lubricants will damage the engine and should not be used.

To check lubricant level:

- Park vehicle on level ground and lower side stand.
- Unscrew the oil cap/dipstick and remove.
- Wipe dipstick clean; re-seat and rethread in hole.
- Remove the dipstick and inspect the lubricant level. Level should be between the minimum and maximum marks on the dipstick.
- If lubricant is below minimum mark on dipstick, add lubricant until level falls between minimum and maximum marks on the dipstick.



MAINTENANCE

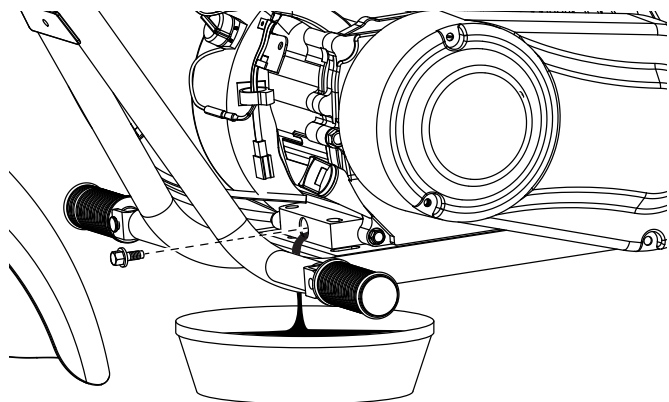
To change engine lubricant:

Lubricant should be changed while the engine lubricant is still warm, but not hot. This allows the lubricant to drain quickly and completely.

⚠ WARNING:

Do not change engine lubricant while it is hot. Accidental contact with hot engine lubricant could result in serious burns.

- Park vehicle on level ground and lower side stand.
- Remove oil cap/dipstick.
- Place a container underneath the oil drainage bolt to collect used lubricant as it drains.
- Unscrew the oil drainage bolt and remove the bolt and washer.
- Allow lubricant to drain completely.

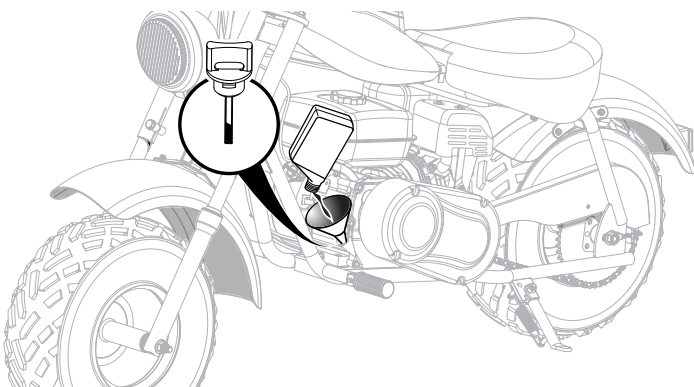


- Reinstall washer and oil drainage bolt. Torque oil drainage bolt to 14-15 ft.lbs. (19-20 Nm).
- Fill crankcase with specified lubricant as described in the Operator's Manual.

NOTICE:

Attempting to start the engine before it has been properly filled with lubricant will result in equipment failure.

NOTE: Used lubricant should be disposed of at an approved disposal site. See your local oil retailer for more information.



CHECKING/CLEANING AIR FILTER

The air filter element must be kept clean to provide good engine power. If you use your vehicle under normal, low-tension conditions, you should service the air filter at the intervals specified. If you ride in dusty, wet, or muddy conditions, you will need to inspect the air filter element much more frequently.

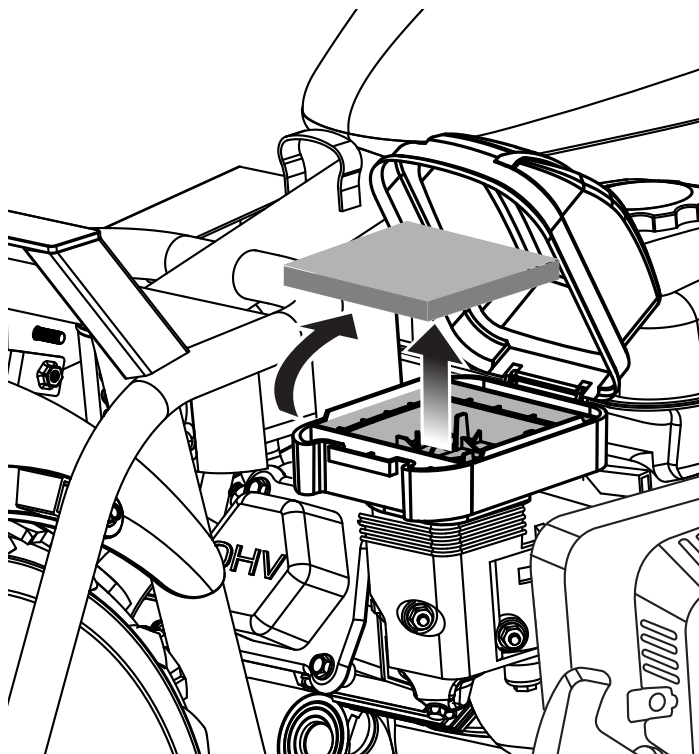
NOTICE:

Always check the air filter element after riding in severe conditions and clean or replace as needed. Operating the mini bike with a clogged air filter could cause engine damage.

Air filter removal and cleaning:

- Open the air filter cover.
- Remove the air filter element from the box.
- Wash the element in warm soapy water.
- Squeeze out water by pressing the element between the palms of both hands. Do not twist or wring or the element will develop cracks.
- Immerse the element in oil, then squeeze as before to remove excess. The element should be damp with oil but not soaked.
- Replace the air filter element in the box. Make sure the element is securely in position and the air filter is properly sealed.
- Close the air filter cover.

NOTE: Do not operate the engine without the air filter element in place. Rapid engine wear will result.



MAINTENANCE

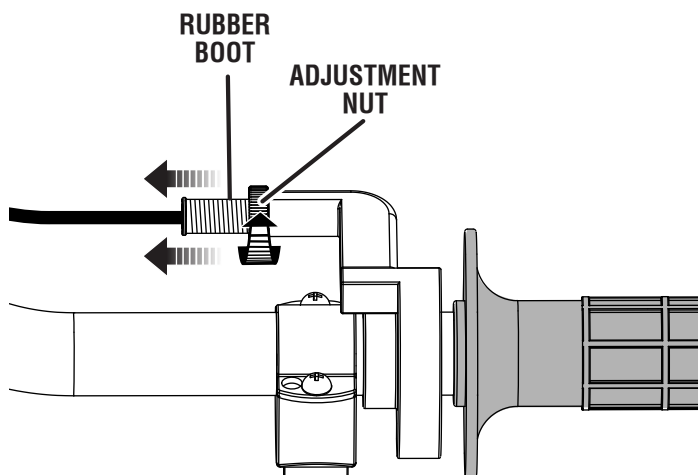
THROTTLE GRIP ADJUSTMENT

Inadequate throttle grip free distance could cause the engine speed to rise suddenly when you turn the handlebars. The correct throttle grip free play distance is between 0.078 in. (2 mm) and 0.24 in. (6 mm). If more or less movement is present, adjust the throttle grip as follows:

- Pull back the rubber boot to gain access to the adjustment nut.
- Rotate the adjustment nut in or out to obtain the correct play.
- Recheck the throttle grip free distance. Readjust if it is still not within the correct limits.

⚠ WARNING:

Do not operate the mini bike if the throttle grip free play distance is less than 0.078 in. (2 mm) or more than 0.24 in. (6 mm). Operating the vehicle with an incorrect amount of throttle grip free play could cause the rider to lose control, resulting in serious personal injury.



IDLE SPEED ADJUSTMENT

Excessive engine wear can result when the idle speed is incorrect. An idle speed that is too high could also cause the mini bike to lurch forward when you start the engine.

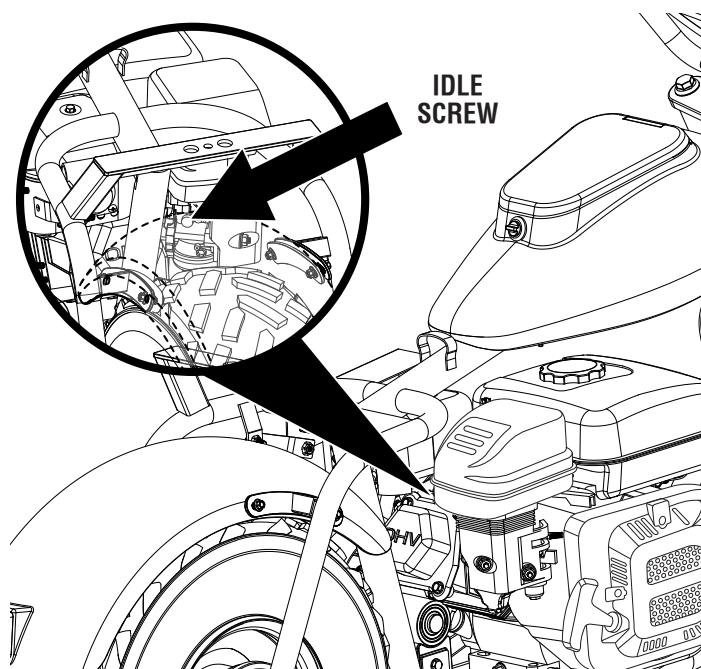
NOTE: You must have a tachometer to adjust the idle speed. If you don't have one, have this service performed by an authorized service center.

To adjust idle speed:

- Start the engine and allow it to warm up.
- Turn the engine idle screw in or out until the engine idle speed is between 1,400 and 1,600 r/min. on the tachometer.

NOTICE:

Make sure the engine is fully warm before adjusting the idle speed. Adjusting the idle speed before the engine is warm could result in excessive engine wear.



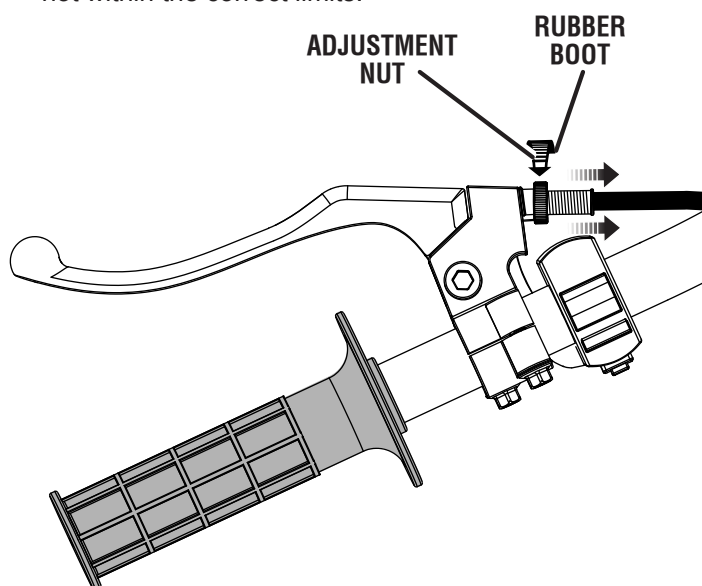
MAINTENANCE

⚠ WARNING:

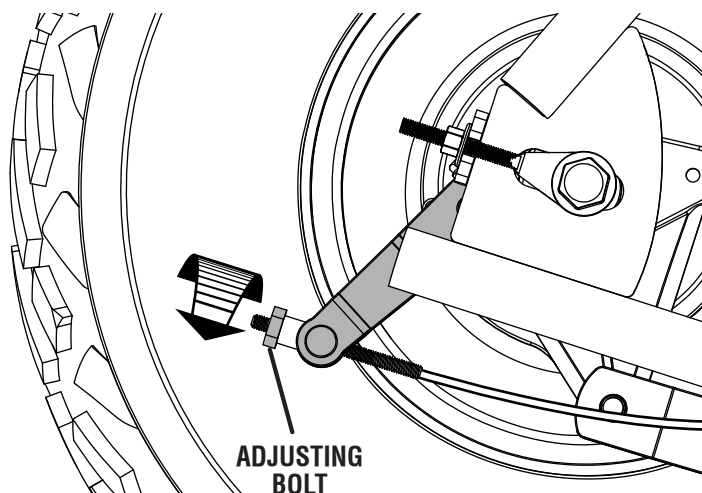
Failure to adjust the brakes so they lock the wheels securely could result in serious personal injury.

ADJUSTING BRAKE

- Measure the amount of free play in the brake lever. The free play should be about 0.2-0.3 in. (5-7 mm).
- Pull back the rubber boot to gain access to the adjustment nut.
- Adjust the brakes by turning the adjustment nut clockwise to loosen and counterclockwise to tighten brake tension.
- Recheck the brake lever free distance. Readjust if it is still not within the correct limits.



- To make brake pad adjustments, turn the adjusting bolt counterclockwise to loosen and clockwise to tighten brake tension.
- Brake pads should be replaced by a qualified service technician once brake shoes are worn.



INSPECTING DRIVE CHAIN/SPROCKETS

The condition and adjustment of the drive chain should be checked before riding. Always follow the guidelines below for inspecting and servicing the chain.

⚠ WARNING:

Always inspect the drive chain before riding the mini bike. Failure to maintain the drive chain properly and/or riding with the chain in poor condition could lead to an accident resulting in serious personal injury.

Inspecting the drive chain:

When inspecting the drive chain, look for the following:

- Loose pins
- Damaged rollers
- Dry or rusted links
- Kinked or binding links
- Excessive wear

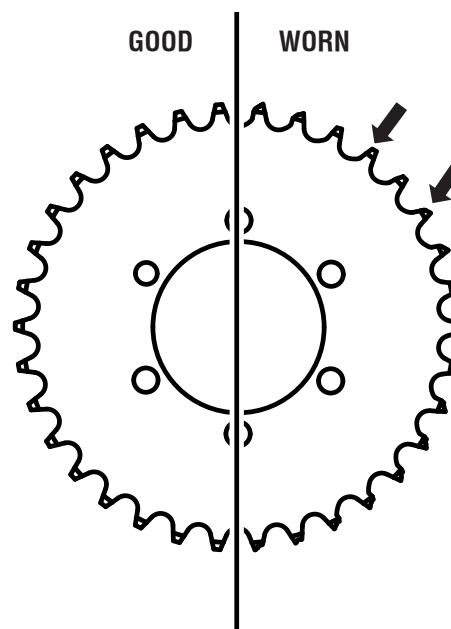
If you find anything wrong with the drive chain, solve the problem by repairing or replacing the chain. If necessary, consult your local authorized service center.

Inspecting the sprockets:

A worn chain can have an adverse affect on the sprockets, therefore any time you find damage to the drive chain, you should also check the front and rear sprockets. When inspecting the sprockets, look for the following:

- Excessively worn teeth
- Broken or damaged teeth
- Loose sprocket mounting nuts

If you find anything wrong with the sprockets, consult your local authorized service center.



MAINTENANCE

CLUTCH MAINTENANCE

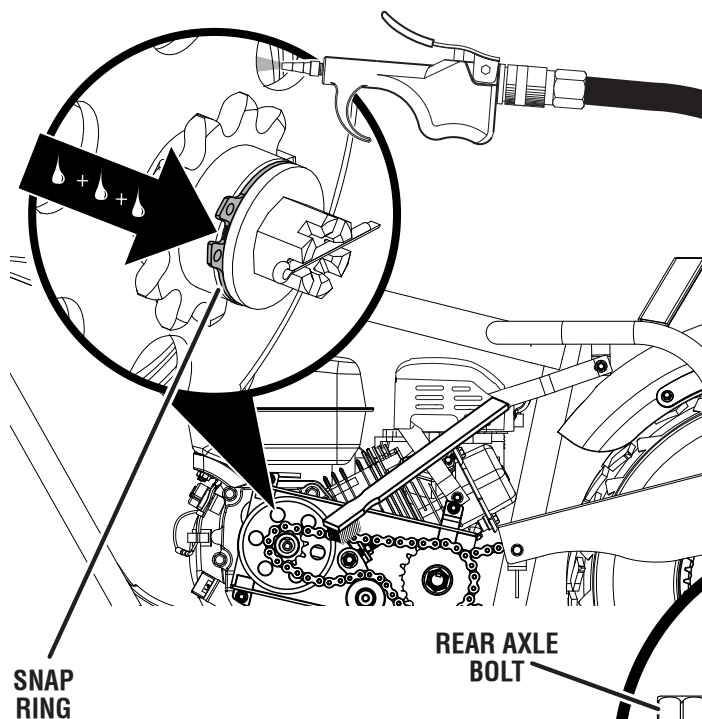
After every 5 hours of use, your clutch will need cleaning and lubrication. If the clutch becomes too dirty or lacks lubrication, the clutch will begin to stick, which could cause the mini bike to move without the throttle being applied.

WARNING:

Failure to perform the clutch maintenance described below can result in unintended movement of the mini bike and cause serious personal injury.

To clean and lubricate the clutch:

- Turn engine off and allow to cool completely.
- Blow through holes in clutch drum using compressed air to remove any dust and/or particles.
- Locate the snap ring on the sprocket at the end of the clutch. Add a few drops of 30W motor oil in the opening between the snap ring ends to allow the oil to reach the bushing located behind the snap ring. Do not allow oil to get inside the clutch itself.
- Push mini bike forward without starting to allow oil to flow through bearing surface.



CLEANING/ADJUSTING DRIVE CHAIN

The drive chain should be cleaned, lubricated, and inspected every time you ride the mini bike.

WARNING:

Always inspect the drive chain tension before you ride the mini bike. Too much slack could allow the drive chain to come off the sprockets, which could cause an accident resulting in serious personal injury or cause serious damage to the mini bike.

Cleaning the drive chain:

- Wash the drive chain with an approved chain cleaner.
- Dry the chain, then lubricate with chain lubricant or the equivalent.

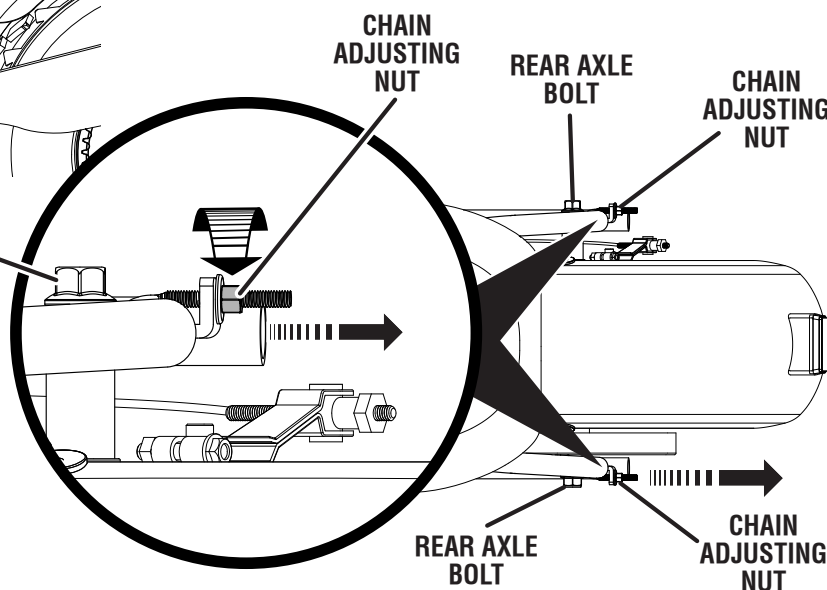
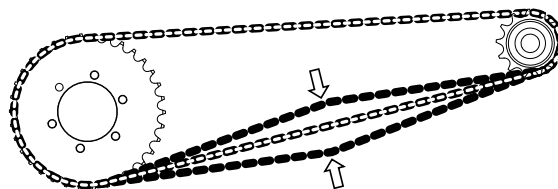
Adjusting the drive chain:

For proper performance, the drive chain should never have more than 0.5-0.75 in. (15-20 mm) slack.

NOTE: The chain should be replaced when it reaches its maximum adjusting limit.

To adjust:

- Loosen the rear axle bolt.
- Turn the chain adjusting nuts on the left and right sides to adjust the tension of the chain.
- Retighten rear axle bolt. Torque to 37-44 ft. lbs. (50-60 Nm).



MAINTENANCE

TIRE MAINTENANCE

This mini bike is equipped with low pressure tubeless tires of the size and type listed below:

	Front	Rear
Size	19x7-8	19x7-8

Tire Air Pressure

Check the air pressure in all tires before riding. Improper air pressure will affect handling, steering response, traction, tire life and rider comfort. Be sure tires are inflated to the pressures shown below.

NOTE: Tire pressure should only be measured or adjusted when tires are cold.

Recommended Pressure
12 psi (82.7 kpa)

WARNING:

Check the tire pressure carefully while inflating. Too much air in the tire could cause the tire to burst, causing serious personal injury.

WARNING:

Maintaining correct air pressure in the tires is very important. Too little pressure could allow the tire to rotate off the wheel rim. Too much pressure could cause the tire to burst. Failure to maintain correct air pressure in the tires could cause problems with vehicle operation and stability, causing serious personal injury.

TIRE REPAIR

If a leak or flat tire occurs due to a puncture, the tire may be repaired using a plug-type patch. If the damage is from a cut, or if the puncture cannot be repaired using a plug, the tire should be replaced.

When operating your mini bike in areas where transportation or service facilities are not readily available, keep a plug-type repair kit and tire air pump with you.

REPLACING TIRES

When tires are worn, the traction of the vehicle will be decreased, which increases the chance of having an accident. Tires should be replaced when the depth on the tread is 0.16 in. (4 mm) or less. Always use identical replacement tires. Using improper tires on the unit could cause loss of control, which could increase your risk of accident.

Have tires replaced by an authorized service center or a qualified tire repair station.

CLEANING

A thorough cleaning of the mini bike is a necessary part of maintenance. It will help keep the mini bike looking and performing at its best. Proper cleaning can also extend the life of the mini bike.

Clean and inspect the mini bike after every ride, especially if it is used in mud, brush, grass, water, salt water, or very dusty conditions. The build-up of mud, brush, grass, etc., especially on the engine and exhaust system, can reduce engine cooling ability, conceal damage, or increase wear of certain parts. Remove all debris during cleaning.

The mini bike should be washed before any mud dries on the unit. Avoid spraying or allowing water to flow over the ignition switch, spark plug, fuel tank cap, carburetor, drive chain, or air filter.

NOTE: Do not use high pressure washers such as those found at car washes. They could cause mechanical, electrical and other damage.

- Hand wash the unit with mild soap or detergent and water. Try to thoroughly remove all dirt and debris without excessive water pressure. Cloth rags, washing mitts, or cleaning brushes can be used, but be careful with brushes as they can scratch plastic or painted surfaces.
- Rinse the unit thoroughly with clean water.
- Dry all areas using a chamois or soft absorbent cloth or allow the unit to air dry.
- Lubricate the chain and run the engine at idling speed for a few minutes.
- Follow the procedures in **Pre-Ride Inspection** to check the unit for any problems that may have occurred during your last ride.
- After washing your mini bike, test your brakes by riding at a slow speed. If necessary, apply brake several times to let the friction dry out the brake linings. Wet brakes may not provide as much stopping power as dry brakes.

WARNING:

Operating the mini bike at high speeds when the brakes are wet could result in serious personal injury.

MAINTENANCE

STORING THE MINI BIKE

If you do not use the mini bike for a long time, it will need special service requiring appropriate materials, equipment, and skill. For this reason, we recommend you trust this maintenance work to an authorized service center. If you wish to service the machine for storage yourself, follow the general guidelines.

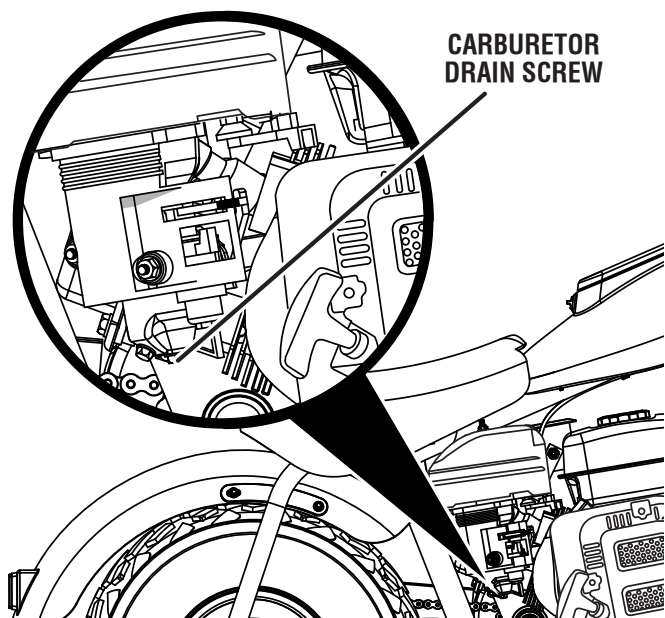
ENGINE LUBRICANT:

- Change the engine lubricant.

FUEL:

- Drain the fuel from the fuel tank using a hand pump. Spray atomized anti-rust oil onto the inside wall of the tank and then close the tank.
- Drain the fuel from the carburetor by releasing the carburetor drain screw.

NOTE: Used fuel should be disposed of properly so as to not adversely affect the environment.



SPARK PLUG:

- Take out the spark plug.
- Pour approximately 0.5-0.68 oz. (15-20 ml) of clean engine lubricant into the cylinder.
- Pull the pull cord half way several times to distribute the oil through the engine.
- Replace the spark plug.

TIRES:

- Inflate the tires to the normal pressure.

NOTE: Tire pressure should only be measured or adjusted when tires are cold.

Recommended Pressure
12 psi (82.7 kpa)

WARNING:

Check the tire pressure carefully while inflating. Too much air in the tire could cause the tire to burst, causing serious personal injury.

WARNING:

Maintaining correct air pressure in the tires is very important. Too little pressure could allow the tire to rotate off the wheel rim. Too much pressure could cause the tire to burst. Failure to maintain correct air pressure in the tires could cause problems with vehicle operation and stability, causing serious personal injury.

VEHICLE:

- Place the vehicle on level ground.
- Wash the vehicle.
- Spray all vinyl and rubber parts with rubber protection.
- Spray unpainted surfaces with rust preventative.
- Coat painted surfaces with car wax.
- Store the mini bike up on wooden blocks with the two wheels clearing the ground. Put the vehicle in a shady and cool place free from humidity and direct sunlight. Cover it properly (not with plastic or painted materials). If possible, store in a garage.

PROCEDURE FOR RETURNING VEHICLE TO SERVICE:

- Change engine lubricant if unit has been out of service longer than 4 months.
- Drain atomized anti-rust oil from the fuel tank and fill with fresh gasoline.
- Clean the entire vehicle.
- Make sure the vehicle is properly lubricated.
- Perform the **Pre-Ride Inspection** as listed previously.

TROUBLESHOOTING

This troubleshooting guide is provided to help you find the cause of some common complaints. If these solutions do not solve the problem contact your authorized service dealer.

COMPLAINT: Engine is hard to start or does not start at all.

1. Check that the fuel valve is in the ON position.
2. Check that the choke lever is in the ON position.
3. Make sure there is adequate fuel in the fuel tank.
4. Drain fuel from tank and carburetor. Replenish with fresh gasoline.
5. Remove and inspect the spark plug. Clean, dry, gap, or replace as needed.
6. Take the mini bike to a qualified mechanic to replace or repair faulty components as needed.

COMPLAINT: Engine lacks power.

1. Follow the procedures in **Checking/Cleaning the Air Filter** to be sure the air filter is clean.
2. Check for correct position of choke lever.
3. Drain fuel from tank and carburetor. Replenish with fresh gasoline.
4. Check idle speed and adjust, if necessary, following the procedures in **Idle Speed Adjustment**.
5. Take the mini bike to a qualified mechanic to replace or repair faulty components as needed.

EMISSIONS WARRANTY

BAJA, INC. – EMISSION CONTROL SYSTEM WARRANTY FOR MODEL YEARS 2010 AND LATER

YOUR WARRANTY RIGHTS AND OBLIGATIONS

This emission control system warranty is part of your purchase agreement and applies to the ultimate purchaser (the first person who in good faith purchases the product for purposes other than resale) and each subsequent purchaser. The emission control system warranty period for this vehicle begins on the date the vehicle is first placed into service by the ultimate purchaser and continues for 30 months after that date, or 5,000km, whichever comes first, provided there has been no abuse, neglect or improper maintenance of your vehicle. This vehicle is designed, built and equipped to meet U.S. EPA emission standards for the full useful life of the vehicle. Where a warrantable condition exists, Baja, Inc. will repair your vehicle at no cost to you, including diagnosis, parts and labor. If an emission-related part on your vehicle is defective, the part will be repaired or replaced by Baja, Inc. This is your emission control defects warranty.

OWNER'S WARRANTY RESPONSIBILITIES

As the vehicle owner, you are responsible for the performance of the required maintenance. You should maintain a record of all maintenance performed on your vehicle and retain all receipts covering maintenance on your vehicle. You may not be denied a warranty claim solely because of your failure to ensure the performance of all scheduled maintenance or lack of maintenance records or receipts. You are responsible for presenting your vehicle to an authorized dealer as soon as a problem exists. The warranty repairs should be completed in a reasonable amount of time, not to exceed 30 days.

As the vehicle owner, you should be aware that you may be denied your warranty coverage if your vehicle or a part has failed due to abuse, neglect, improper maintenance, or unapproved modifications.

WARRANTY COVERAGE:

Baja, Inc. warrants that each new vehicle:

- is designed, built, and equipped so as to conform at the time of initial retail purchase with all applicable regulations of the United States Environmental Protection Agency, and the California Air Resources Board; and
- is free from defects in material and workmanship which cause such vehicle to fail to conform with applicable regulations of the United States Environmental Protection Agency or the California Air Resources Board for the periods specified above.

Your emission control system warranty covers components whose failure would increase an engine's emission, including electronic controls, fuel injection system, carburetor, the ignition system, catalytic converter, or any other system utilized in this vehicle to control emission if it is originally equipped. Also included may be hoses, connectors and other emission-related assemblies. Replacing or repairing other components (including parts, labor, and other costs) not covered by this emission control system warranty or the standard warranty is the responsibility of the owner.

The use of replacement parts not equivalent to the original parts may impair the effectiveness of your vehicle's emission control system. If such a replacement part is used and Baja, Inc. determines it is defective or causes a failure of a warranted part, your claim for repair to bring your vehicle into compliance with applicable standards may be denied.

If an unsafe, emergency condition exists attributable to Baja, Inc., repairs may be performed at any available service establishment, or by the owner, using any replacement part, as long as the operator tries to restore the engine/equipment to its proper configuration as soon

as possible. Baja, Inc. will reimburse the owner for the expenses, including diagnostic charges, not to exceed Baja, Inc.'s suggested retail prices for all warranted parts replaced and labor charges based on Baja, Inc.'s recommended time allowance for the warranty repair and the geographically appropriate hourly labor rate. The owner may reasonably be required to keep receipts and failed parts in order to receive compensation.

This Emission Control System Warranty is in addition to the standard Limited Warranty.

EXCLUSIONS AND LIMITATIONS:

This warranty does not cover the following:

- Failures or malfunctions of the emission control systems caused by abuse, alteration, accident, misuse, the use of leaded gasoline.
- Replacement of expendable maintenance items unless they are original equipment defective in material or workmanship under normal use. Expendable maintenance items include but not limited to spark plugs, filters, coolant, lubricants, gaskets, hoses, and belts.
- Replacements of parts and other services and adjustments for required maintenance.
- Physical damage or defects caused by fire, explosions or similar causes beyond the control of Baja, Inc.
- Failures not caused by a defect in material or workmanship.

Use of the vehicle in any type of competitive racing or related events immediately and completely voids this and all other warranties. Failure to follow the recommended jetting chart/altitude adjustments, if applicable, or other unauthorized modifications, will be considered improper maintenance and use of the vehicle, and may result in the denial of warranty claims.

LIMITED LIABILITY

The liability of Baja, Inc. under this Emission Control System Warranty is limited solely to the remedying of defects in material workmanship by an authorized dealer at its place of business during customary business hours. This warranty does not cover inconvenience or loss of use of the vehicle or transportation of the vehicle to/from the authorized dealer. Baja, Inc. is not liable to any person for incidental, consequential or special damages of any description, whether arising out of express or implied warranty or any other contract, negligence or other tort or otherwise.

No express emission control system warranty is given by Baja, Inc. except as specifically set forth herein. Any emission control system warranty implied by law, including any warranty of merchantability or fitness for a particular purpose is limited to the express emission control system warranty term stated in this warranty. The foregoing statements of warranty are exclusive and in lieu of all other remedies. All express warranties not stated in this warranty are disclaimed. Some states do not allow limitations on how long an implied warranty lasts, so the above limitations may not apply if it is inconsistent with the controlling state law.

No dealer is authorized to modify this Emission Control System Warranty. If you have any questions regarding your warranty rights and responsibilities, you should contact BAJA, INC. (888) 863-2252, 1428 Pearman Dairy Road, Anderson, SC 29625, or the California Air Resources Board, 9528 Telstar Avenue, El Monte, CA 91731 (for California registered vehicles only).

PRODUCT SPECIFICATIONS

DIMENSIONS AND DRY MASS:

Overall length 66.14 in. (1680 mm)
Overall width 30.3 in. (769.6 mm)
Overall height 40 in. (1016 mm)
Wheelbase 45.28 in. (1150 mm)
Ground clearance 4.9 in. (124.5 mm)
Seat height 24.6 in. (624.8 mm)
Dry weight 154.3 lbs. (70 kg)

ENGINE:

Drive Centrifugal clutch
PTO shaft rotation Counterclockwise
Bore and stroke 2.68 x 2.13 in. (68 x 54.1 mm)
Displacement 196cc
Compression ratio 8:5:1
Starting method Recoil Pull Start
Valve clearance IN: 0.15 ± 0.02 mm
EX: 0.20 ± 0.02 mm
Idle speed 1500 ± 100 RPM

ELECTRICAL:

Ignition type TCI
Spark plug NGK BP6ES
Spark plug gap 0.024-0.028 in. (0.6-0.7 mm)

CAPACITIES:

Engine lubricant 0.53 qt. (0.5 l) SAE15W40
Fuel tank 0.95 gal. (3.6 l)
Payload 200 lbs. (91 kg)

BRAKES:

Brake type Drum

TIRES:

Front 19x7-8
Rear 19x7-8

CALIFORNIA PROPOSITION 65

WARNING:

This product may contain or emit chemicals known to the State of California to cause cancer, birth defects, or other reproductive harm. **Wash hands after handling.**

Motor vehicles contain fuel, oils, and other fluids, battery post terminals, and related accessories which contain lead and lead compounds and other chemicals known to the State of California to cause cancer, birth defects, or other reproductive harm. These chemicals are found in vehicles, vehicle parts, and accessories both new and as replacements. When being serviced, these vehicles generate used oil, waste fluids, grease, fumes, and particulates, all known to the State of California to cause cancer, birth defects, or other reproductive harm.

BAJA MOTORSPORTS

1428 Pearman Dairy Road
Anderson, SC 29625
1-888-863-2252
www.bajamotorsports.com

ÍNDICE DE CONTENIDO

■ Garantía limitada	2
■ Reglas para una operación segura	3
■ Símbolos	4
■ Etiquetas de seguridad	5-6
■ Características	7-8
■ Operación.....	9-11
■ Mantenimiento.....	12-19
■ Corrección de problemas	20
■ Garantía con respecto a las emisiones.....	21
■ Especificaciones del producto.....	22

GARANTÍA LIMITADA

CONSERVE SU RECIBO. Se le solicitará que presente un comprobante de compra para respaldar cualquier reclamo de garantía. **LO QUE ESTÁ CUBIERTO:** Baja, Inc., ("Baja") garantiza al comprador minorista original en los Estados Unidos de América o en Canadá que este producto se encuentra libre de defectos en materiales y en mano de obra, y acepta reparar, ofrecer piezas de repuesto o reemplazar (sin cargo por piezas y/o mano de obra) cualquier producto o pieza componente que contenga un defecto de material, que Baja determinará a su entera discreción, durante un período de 6 meses a partir de la fecha de compra, excepto en el caso que se expresa a continuación. El servicio de garantía y las piezas de reemplazo están cubiertos solo durante la duración de la garantía del producto original. Este producto también está cubierto por una Garantía del Sistema de control de emisiones, que es independiente de esta garantía y se entrega de manera adicional. Todas las piezas o productos defectuosos que se reemplacen bajo garantía serán propiedad de Baja. **LO QUE NO ESTÁ CUBIERTO:** Esta garantía no cubre ninguna condición provocada por mal uso, abuso, negligencia, accidente, desgaste normal, alteración, modificación, mantenimiento incorrecto o inadecuado, uso de piezas de repuesto no autorizadas, funcionamiento en alguna forma contraria a las instrucciones establecidas en el manual del operador o servicio provisto por cualquiera que no sea el Centro de servicio autorizado de Baja Motorsports®. Esta garantía no cubre los costos de transporte por servicio de garantía o recolección, y dichos costos serán exclusiva responsabilidad del propietario.

Esta garantía quedará NULA en relación a cualquier producto que haya sido utilizado para propósitos de alquiler o comerciales, o que haya sufrido los siguientes daños:

- bastidor doblado o roto debido al abuso, o
- rueda(s) doblada(s) o rota(s) debido al abuso, o
- guardabarros doblado o roto debido al abuso, o
- cualquier señal de impacto, accidente, salto, giro o desplazamiento no provocado por una condición cubierta por la garantía.

PARA OBTENER SERVICIO: Comuníquese con la línea gratuita de Baja llamando al 888-863-2252, de lunes a viernes entre las 8 a.m. y las 5 p.m., Tiempo estándar del este (EST). Cualquier servicio de garantía aprobado será delegado a un Centro de servicio autorizado de Baja Motorsports®.

SU VEHÍCULO ESTÁ CUBIERTO CON UNA GARANTÍA INDEPENDIENTE DE EMISIONES DEL MOTOR QUE SE MUESTRA MÁS ADELANTE EN ESTE MANUAL. LA OBLIGACIÓN DE BAJA BAJO ESTA GARANTÍA SE LIMITA ESTRICTA Y EXCLUSIVAMENTE A LA REPARACIÓN O EL REEMPLAZO DE PRODUCTOS O PIEZAS DEFECTUOSOS Y BAJA NO AUTORIZA A NINGUNA OTRA PARTE A ASUMIR SUS OBLIGACIONES EN CASO QUE NO SE DETALLEN EN ESTA GARANTÍA. NINGÚN DISTRIBUIDOR O TERCERA PARTE TIENE AUTORIZACIÓN PARA MODIFICAR ESTA GARANTÍA. SEGÚN EL ALCANCE PERMITIDO DE LA LEY APLICABLE, CUALQUIER GARANTÍA IMPLÍCITA OTORGADA BAJO LA LEY ESTATAL, INCLUIDAS TODAS LAS GARANTÍAS DE COMERCIALIZACIÓN O ADAPTACIÓN PARA UN PROPÓSITO EN PARTICULAR, QUE NO TENGAN POSIBILIDAD DE EXENCIÓN, SE LIMITA A LA GARANTÍA ESTABLECIDA DE 6 MESES A PARTIR DE LA FECHA DE COMPRA. BAJA NO ASUME RESPONSABILIDAD POR DAÑOS INCIDENTALES, RESULTANTES, INDIRECTOS O SIMILARES SEGÚN EL ALCANCE MÁXIMO PERMITIDO POR LA LEY. SI UNA CORTE JUDICIAL O JURISDICCIÓN COMPETENTE INVALIDA ALGUNA DISPOSICIÓN DE ESTA GARANTÍA, DICHA DISPOSICIÓN SERÁ SEPARABLE Y SU INVALIDEZ NO AFECTARÁ A NINGUNA OTRA DISPOSICIÓN DE ESTA GARANTÍA.



ADVERTENCIA:

Este manual debe considerarse como una parte permanente del vehículo y debe permanecer con el vehículo cuando se revenda o se transfiera a un nuevo usuario u operador. El manual contiene información de seguridad e instrucciones importantes, que deben leerse detenidamente antes de operar el vehículo. Todos los operadores deben obtener, revisar y obedecer todas las leyes y reglamentaciones gubernamentales provinciales y municipales relacionadas con la tenencia y la operación de un vehículo todoterreno. Los niños menores de 16 años nunca deben operar este vehículo.

REGLAS PARA UNA OPERACIÓN SEGURA

ADVERTENCIA:

Este manual del operador contiene información importante sobre seguridad y mantenimiento. Léalo detenidamente y asegúrese de comprender toda la información que se incluye antes de conducir el vehículo. El incumplimiento de las advertencias que contiene este manual podría provocar LESIONES GRAVES o la MUERTE.

AVISO A LOS PADRES

Este mini motocicleta ha sido fabricado para ser utilizado por personas mayores de 16 años. Nunca permita que un menor de 16 años opere el mini motocicleta.

Es muy importante que todas las personas que conduzcan el mini motocicleta lleven a cabo un curso de capacitación.

LEA TODAS LAS INSTRUCCIONES

Es importante que este manual permanezca en el vehículo cuando se lo transfiera o preste a otro usuario o propietario.

Toda la información, las ilustraciones, las fotografías y las especificaciones que contiene este manual se basan en la información más reciente sobre el producto que se encuentra disponible al momento de la publicación. Debido a las mejoras u otros cambios, puede haber algunas discrepancias en este manual. Nos reservamos el derecho de efectuar cambios en el producto en cualquier momento, sin previo aviso y sin incurrir en obligación alguna para efectuar dichos cambios o cambios similares en el vehículo fabricado o vendido previamente.




- Lea detenidamente y comprender este manual y todas las etiquetas y siga los procedimientos de operación que se describen.
- Nunca opere un mini motocicleta sin haber recibido la instrucción correspondiente. Haga un curso de capacitación. Los principiantes deben recibir capacitación de un instructor certificado. Comuníquese con un distribuidor autorizado de mini motocicleta o llame a la Fundación de Seguridad de Motocicletas (Motorcycle Safety Foundation) al 1-800-446-9227 para averiguar sobre los cursos de capacitación más cercanos a su hogar.
- Nunca lleve un pasajero en un mini motocicleta.
- No haga arrancar o funcionar el motor en un espacio confinado, de edificio, cerca de ventana abiertas, o en otro área sin ventilación donde se puedan recolectar las emanaciones de monóxido de carbono. El monóxido de carbono, un gas incoloro, inodoro y sumamente peligroso, puede causar la pérdida de la conciencia o la muerte.
- Nunca consuma drogas ni alcohol antes de operar este mini motocicleta ni durante su operación.
- Nunca opere un mini motocicleta en ninguna superficie pavimentada, incluidas las aceras, los caminos de entrada, los estacionamientos y las calles.
- Nunca opere un mini motocicleta en ninguna calle pública, carretera o autopista, aunque sea de tierra o de grava.
- Nunca opere la mini motocicleta durante la noche. "Noche" se define como el período que transcurre desde 30 minutos antes de la puesta de sol hasta 30 minutos después de la salida del sol.

- Nunca opere un mini motocicleta sin usar un casco para mini motocicleta aprobado por el Departamento de Transporte (Department of Transportation, DOT) que calce correctamente. También debe usar protección ocular (gafas) con la marca de cumplimiento de la norma ANSI Z87.1, guantes, botines, camisa de mangas largas o chaqueta y pantalones largos.
- Nunca opere este mini motocicleta a velocidades excesivas. Vaya siempre a una velocidad que sea adecuada según el terreno, la visibilidad, las condiciones de operación y su experiencia.
- Mantenga siempre las dos manos en las barras del manubrio y los dos pies en los apoyapiés del mini motocicleta durante la operación.
- Siempre tenga cuidado cuando la unidad patine o se deslice. Aprenda a controlar la unidad de manera segura cuando esta patine o se deslice, practicando a velocidades bajas y en un terreno nivelado y parejo. En superficies sumamente resbaladizas, como superficies con hielo, vaya despacio y sea muy cuidadoso, a fin de reducir las posibilidades de que la unidad patine o se deslice y pierda el control.
- Nunca opere el mini motocicleta en colinas demasiado empinadas para el mini motocicleta o para sus capacidades. Practique en colinas más pequeñas antes de intentar operar la unidad en colinas más grandes.
- Verifique el terreno detenidamente antes de subir cualquier colina. Nunca suba colinas que tengan superficies sumamente resbaladizas o poco firmes. Lleve su peso hacia adelante. Nunca acelere repentinamente ni efectúe cambios repentinos de marcha. Nunca conduzca por la cima de una colina a alta velocidad.
- Nunca intente hacer caballito, saltos ni otras acrobacias con la unidad.
- Nunca opere una mini motocicleta en el agua.
- Verifique siempre que no haya obstáculos antes de operar la unidad en una nueva área. Nunca intente operar la unidad sobre obstáculos grandes, como rocas grandes o árboles caídos. Siga siempre los procedimientos correctos al operar la unidad sobre obstáculos, como se describe en este manual.
- Nunca intente hacer caballito, saltos ni otras acrobacias con la unidad.
- Use siempre neumáticos del tamaño y el tipo especificados en este manual. Mantenga siempre la presión correcta de los neumáticos, como se describe en este manual.
- Verifique el terreno detenidamente antes de subir cualquier colina. Lleve su peso hacia adelante. Nunca conduzca por la cima de una colina a alta velocidad.
- Nunca exceda la capacidad de carga especificada de 91 kg (200 lb.).
- Nunca viaje solo. Este mini motocicleta puede ir a 38,6 km (24 millas) por hora; esto puede resultar en una distancia mayor de la que usted puede caminar de regreso, en el caso de presentarse un problema con el mini motocicleta.
- Creemos en la conservación y en la protección de los recursos naturales de la tierra. Alentamos a cada uno de los propietarios y operadores de vehículos a que hagan lo mismo respetando los carteles exhibidos y conduciendo la unidad únicamente en áreas designadas y aprobadas para uso recreativo de vehículos todoterreno.











PARA OBTENER MÁS INFORMACIÓN SOBRE ASPECTOS DE SEGURIDAD DE MINI MOTOCICLETA, COMUNÍQUESE CON BAJA MOTORSPORTS EN 1-866-260-8630.

SÍMBOLOS

Las siguientes palabras y significados de las señales tienen como objetivo explicar los niveles de riesgo asociados con este producto.

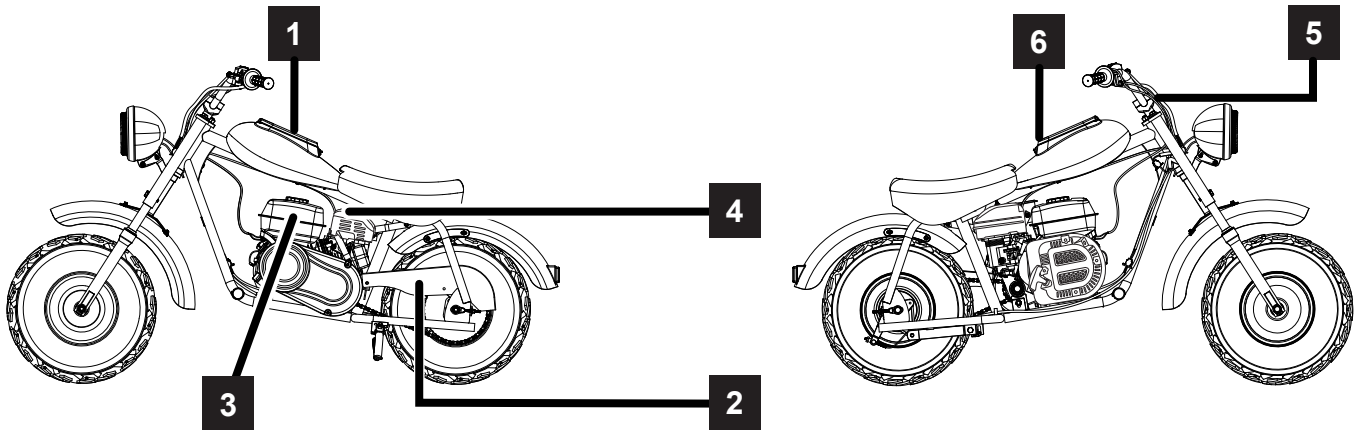
SÍMBOLO	SEÑAL	SIGNIFICADO
	PELIGRO:	Indica una situación de riesgo inminente que, si no se evita, provocará la muerte o lesiones graves.
	ADVERTENCIA:	Indica una situación de riesgo potencial que, si no se evita, podría provocar la muerte o lesiones graves.
	PRECAUCIÓN:	Indica una situación de riesgo potencial que, si no se evita, puede provocar lesiones menores o moderadas.
	AVISO:	(Sin el símbolo de alerta de seguridad) Indica información importante no relacionada con ningún peligro de lesiones, como una situación que puede ocasionar daños físicos.

Es posible que algunos de los siguientes símbolos se usen en este producto. Estúdielos y aprenda sus significados para operar este producto con seguridad.

SÍMBOLO	NOMBRE	EXPLICACIÓN
	Alerta de seguridad	Indica un peligro posible de lesiones personales.
	Lea el manual del operador	Para reducir el riesgo de lesiones, el usuario debe leer y comprender el manual del operador antes de usar este producto.
	Use protección ocular	Use siempre protección ocular con protección lateral (gafas) con la marca de cumplimiento de la norma ANSI Z87.1.
	Use equipo de protección	Use siempre un casco aprobado y equipo de protección.
	Vías públicas	Nunca use este mini motocicleta en las vías públicas.
	Pasajeros	Nunca lleve pasajeros en este mini motocicleta.
	Drogas y alcohol	Nunca utilice con drogas o alcohol.
	Nunca intente hacer caballito, saltos ni otras acrobacias	Nunca intente hacer caballito, saltos ni otras acrobacias que puedan provocar la muerte o lesiones personales graves.
	Límite de edad	Nunca permita que los niños menores de 16 años operen este mini motocicleta.
	Vapores tóxicos	Los componentes de la gasolina emiten monóxido de carbono, un gas inodoro, incoloro y tóxico. Aspirar monóxido de carbono puede causar náuseas, desmayos o la muerte.

ETIQUETAS DE SEGURIDAD

Las siguientes etiquetas se encuentran en el producto. Para su seguridad, revise y comprenda todas las etiquetas antes de encender el producto. Si alguna de las etiquetas se desprende de la unidad o se vuelve ilegible, comuníquese con un centro de servicio autorizado para reemplazarla.



1

⚠ WARNING ⚠ AVERTISSEMENT ⚠ ADVERTENCIA

Improper use of this vehicle can result in SEVERE INJURY OR DEATH.
L'utilisation incorrecte du ce véhicule peut causer DES BLESSURES SÉVÈRES ou LA MORT.
El uso inadecuado de vehículo puede provocar LESIONES GRAVES o la MUERTE



Made in China
Fabriqué en Chine
Fabricado en China

- Always use an approved helmet and protective gear / Portez toujours un casque approuvé et un équipement de protection. / Use siempre un casco aprobado y equipo de protección.
- Never use on public roads—a collision can occur with another vehicle. / Ne conduisez jamais sur des voies publiques -- une collision avec un autre véhicule peut se produire. / Nunca use el vehículo en la vía pública -- puede producirse un choque con otro vehículo..
- Never carry passengers/ Ne jamais transporter des passagers / Nunca lleve con pasajeros.
- Never use with drugs or alcohol. / Ne pas utiliser avec les drogues ou l'alcool. / Nunca lo utilice con drogas o alcohol.
- Never attempt wheelies, jumps or other stunts. / Ne tentez jamais de wheelies, des sauts, ou autres cascades / No intente hacer acrobacias, saltos u otras acrobacias.

NEVER operate / Ne conduisez JAMAIS / NUNCA opere el vehículo :

- without proper training or instruction. / sans avoir reçu une formation et des instructions appropriées. / sin capacitación o instrucción adecuadas.
- at speeds too fast for your skills or the conditions. / à des vitesses inadéquates pour votre habilité ou aux conditions. / a velocidades demasiado rápidas para sus habilidades o respecto de las condiciones.

The operator must ALWAYS / L'utilisateur doit TOUJOURS / El operador SIEMPRE debe :

- use proper riding techniques to avoid vehicle overturns on hills and rough terrain and in turns. / utilisez des techniques de conduire adéquates afin d'éviter le renversement du véhicule sur des collines, des terrains accidentés et pendant les virages. / usar técnicas de desplazamiento adecuadas para evitar que el vehículo se vuelque en las colinas, en terrenos áridos y en las curvas.
- avoid paved surfaces—pavement may seriously affect handling and control. / évitez les surfaces pavées. Celles-ci peuvent sérieusement affecter la manipulation et le contrôle. / evitar superficies pavimentadas: el pavimento puede afectar seriamente las maniobras y el control.

NOTICE / AVIS / AVISO




DO NOT USE FUEL CONTAINING MORE THAN 10% ETHANOL. IT IS A VIOLATION OF U.S. FEDERAL LAW, WILL DAMAGE YOUR PRODUCT, AND VOID THE WARRANTY.
N'UTILISEZ PAS DE CARBURANT CONTENANT PLUS DE 10% D'ÉTHANOL, EST UNE VIOLATION DES LÉGISLATION FÉDÉRALE AMÉRICAINE, PEUT ENDOMMAGER LE PRODUIT ET ANNULER LA GARANTIE.
NO UTILICE COMBUSTIBLE QUE CONTENGA MÁS DE UN 10% DE ETANOL, ES UNA VIOLACIÓN DE LA LEY FEDERAL DE EE.UU., PODRÍA DAÑAR EL PRODUCTO Y ANULAR LA GARANTÍA.

© 2014 Baja Inc. All Rights Reserved.

ETIQUETAS DE SEGURIDAD

2

⚠ WARNING ⚠ AVERTISSEMENT ⚠ ADVERTENCIA



Moving parts can crush and cut. Keep hands clear. Do not operate with guard removed.
Les pièces mobiles peuvent broyer et couper. Garder les mains éloignées. Ne pas conduire si les dispositifs de sécurité sont retirés.
Partes en movimiento pueden raspar o cortar. Mantenga sus manos libres. No la utilice sin la cubierta.

Improper tire pressure or overloading can cause loss of control. Loss of control can result in severe injury or death. Check pressures on all tires only when tires are cold.
Une pression des pneus inadéquate ou une surcharge peuvent provoquer la perte de contrôle du véhicule. La perte de contrôle du véhicule peut causer des blessures sévères ou la mort. Vérifiez la pression de tous les pneus seulement quand les pneus sont froids.
La presión incorrecta de los neumáticos o su sobrecarga pueden causar la pérdida de control. La pérdida de control puede provocar lesiones serias o la muerte. Revise la presión de aire en todas las llantas solamente cuando estén frías.

COLD TIRE PRESSURE / PRESSION DES PNEUS A FROID / PRESION DE LOS NEUMATICOS EN FRIO
Recommended / Recommandé / Recomendada : **12 psi (82.7 kpa)**

Operating this vehicle if you are under the age of 16 increases your chance of severe injury or death.
L'utilisation de cette motocyclette hors route par des enfants de moins de 16 ans augmente le risque de blessures graves ou de mort.
Operar este modos carretera cuando es menor de 16 años aumenta la posibilidad de lesiones graves o la muerte.
NEVER permit children under age 16 to operate this vehicle.
Ne permettez JAMAIS aux enfants de moins de 16 ans d'utiliser ce motocyclette.
NUNCA permita que los niños menores de 16 años operen este modos.


UNDER
16

MOINS DE
16 ANS

MENORES
DE
16 Años

3

⚠ DANGER ⚠ DANGER ⚠ PELIGRO



Risk of Fire. Check for any fuel overflow or leaking. Stop the engine before refueling.
Risque d'incendie. Vérifier l'absence de débordement ou de fuite de carburant. Arrêter le moteur avant de faire le plein.
Riesgo de incendio. Revise si hay algún derrame o fuga de combustible. Apague el motor antes de poner combustible.

4



⚠ WARNING
HOT SURFACE

⚠ AVERTISSEMENT
SURFACES CHAUDE

⚠ ADVERTENCIA
SUPERFICIA CALIENTE

UBICACIÓN DEL NÚMERO DE IDENTIFICACIÓN DEL VEHÍCULO (VEHICLE IDENTIFICATION NUMBER, VIN) Y DEL NÚMERO DE SERIE DEL MOTOR

Usted debe saber cuál es el VIN y el número de serie del motor para solicitar los documentos de propiedad del mini motocicleta. También necesita estos números para solicitar piezas a su centro de servicio autorizado o a Baja Motorsports.

Desde una posición sentada en la mini motocicleta, el número de identificación del vehículo (vehicle identification number, VIN) está marcado en el lado derecho del cuello del bastidor, donde se conecta la dirección. El número de serie del motor se encuentra en el lado derecho del cárter del motor.

Anote aquí los números de serie para futura referencia:

VIN:

Núm. del motor:

5

⚠ WARNING ⚠ AVERTISSEMENT ⚠ ADVERTENCIA

DO NOT RIDE AT NIGHT. WEAR A HELMET. NE PAS CONDUIRE DURANT LA NUIT. PORTER UN CASQUE. NO CONDUZCA DE NOCHE. USAR UN CASCO.




For customer service call /
Pour service à la clientèle téléphoner /
Para servicio al cliente llame

1-888-863-BAJA
(2252)

6

⚠ WARNING ⚠ AVERTISSEMENT ⚠ ADVERTENCIA

This vehicle is an off-road motorcycle and is not intended for use on public highways.
Este vehículo es uno modos carretera y no es para uso en autopistas públicas.
Ce véhicule est une motocyclette hors route qui n'est pas être utilisée sur les voies publiques.

CARACTERÍSTICAS

Palanca de frenos — El freno puede accionarse apretando la palanca de frenos.

Interruptor del motor — El interruptor del motor debe colocarse en posición ON (encendido) para arrancar el motor. Para apagar el motor, coloque el interruptor en la posición OFF (apagado).

Válvula de combustible — Este vehículo tiene una válvula de combustible que se opera manualmente y tiene 2 posiciones.

En la posición ON (encendido), el combustible puede ingresar en el carburador cuando se arranca el motor o está en funcionamiento.

En la posición OFF (apagado), se corta el ingreso de combustible desde el carburador. La válvula de combustible debe colocarse en esta posición cuando el mini motocicleta no está siendo utilizado.

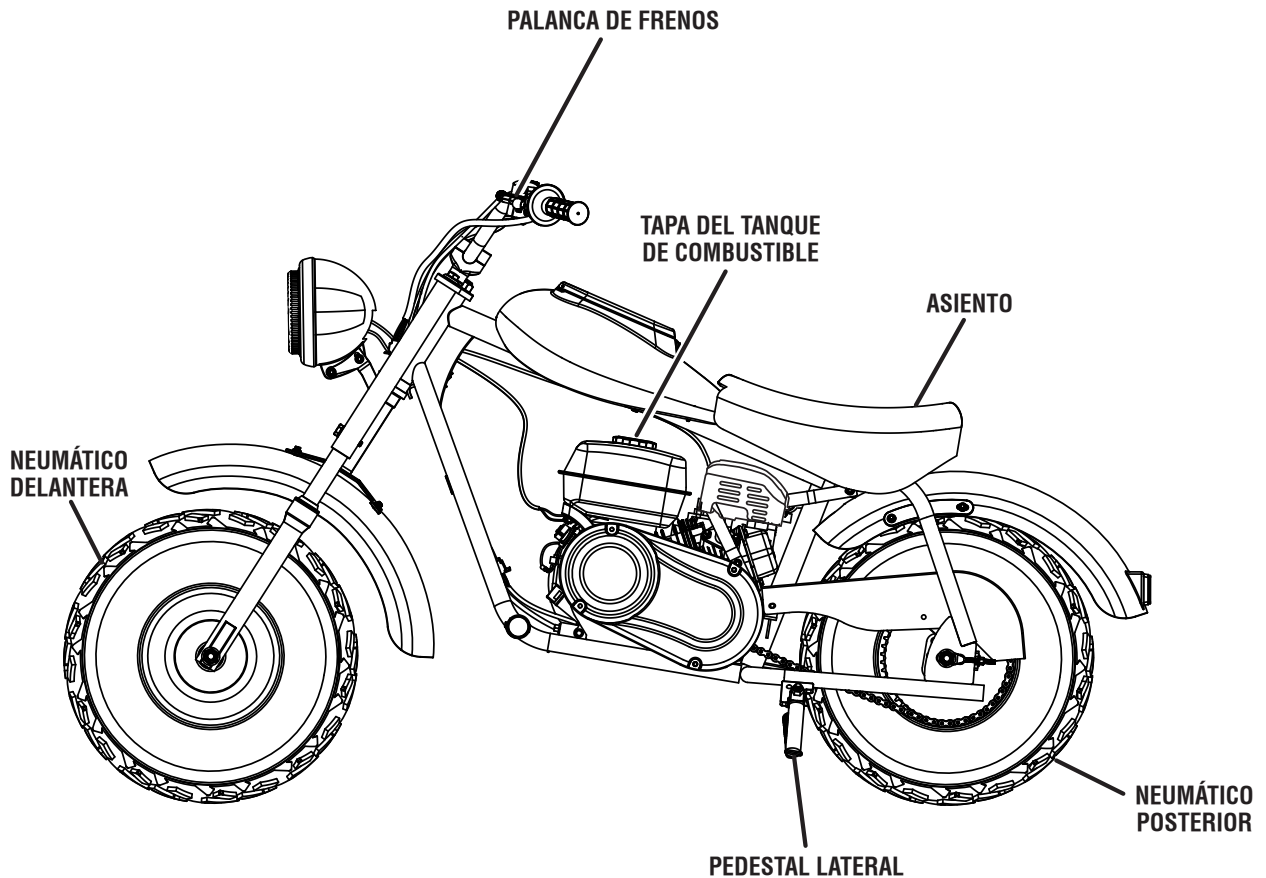
Tapa del tanque de combustible — Para abrir la tapa del tanque de combustible, gire la tapa del tanque de combustible hacia la izquierda. Para cerrar la tapa del tanque de combustible, gírela hacia la derecha y apriétela firmemente.

Interruptor de luces — Enciende y apaga el faro.

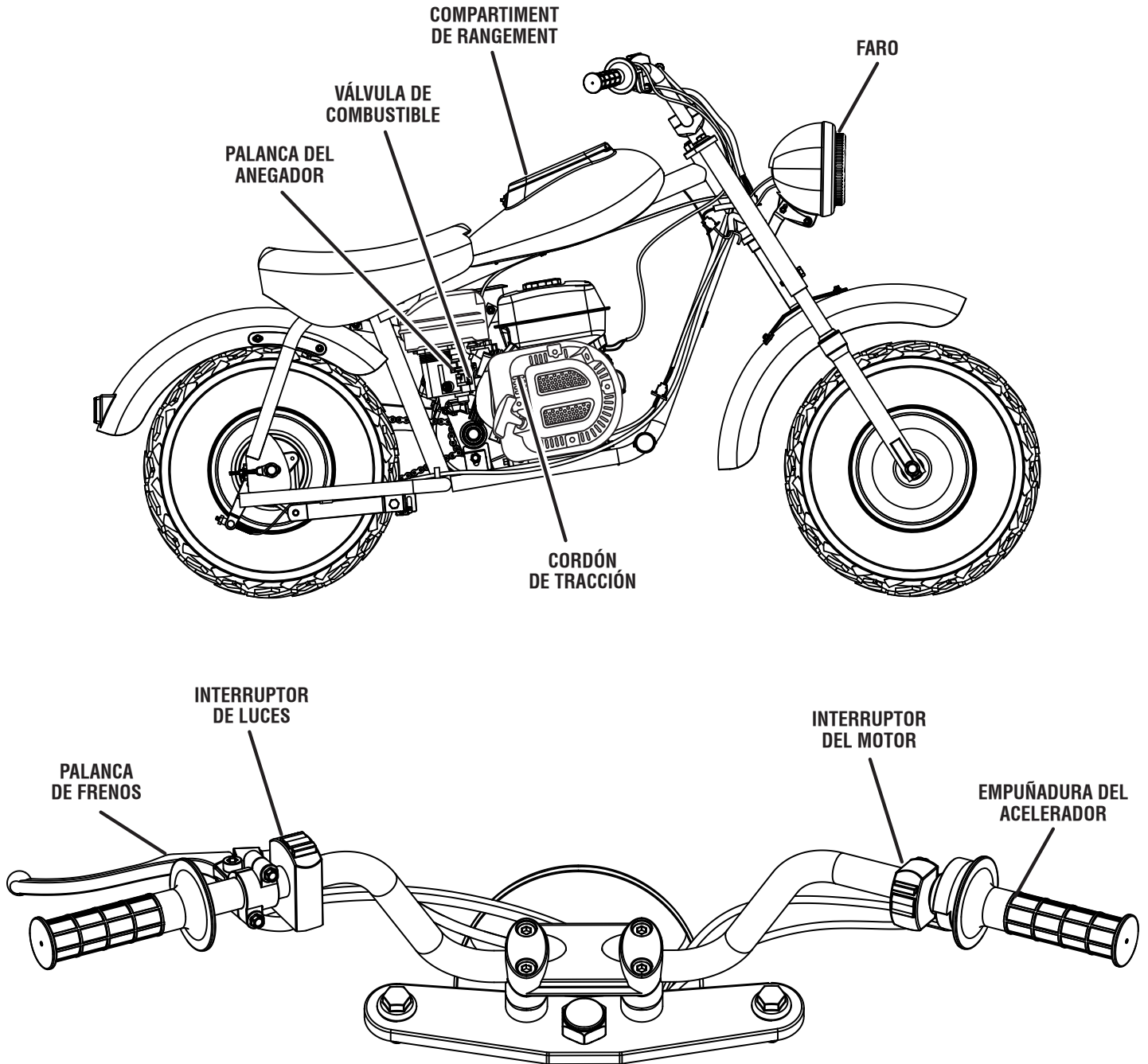
Palanca del anegador manual — Cuando el motor está frío, coloque la palanca del anegador en la posición ON (encendido). Cuando el motor se ha calentado, coloque la palanca nuevamente en la posición OFF (apagado).

Cordón de tracción — Use el cordón de tracción para arrancar el motor.

Empuñadura del acelerador — Controla la velocidad del motor y del mini motocicleta. Empuje la empuñadura hacia adelante con el dedo pulgar para aumentar la velocidad del motor y del mini motocicleta. Suéltela para disminuir la velocidad del motor y del mini motocicleta.



CARACTERÍSTICAS



OPERACIÓN

⚠️ ADVERTENCIA:

Use siempre ropa y accesorios de protección adecuados: Un casco que calce correctamente, protección ocular (gafas) con la marca de cumplimiento de la norma Z87.1 del Instituto Americano de Normas Nacionales (ANSI), guantes, botines, camisa de mangas largas o chaqueta, protector para el pecho y pantalones largos.

⚠️ ADVERTENCIA:

Use siempre protección ocular con protecciones laterales (gafas) con la marca de cumplimiento de la norma Z87.1 del Instituto Americano de Normas Nacionales (ANSI). La inobservancia de esta advertencia podría provocar que se le metan objetos en los ojos, lo que puede provocar lesiones graves.

⚠️ ADVERTENCIA:

No permita que el hecho de estar familiarizado con el producto le haga prestar menos atención. Recuerde que un descuido de una fracción de segundo es suficiente para causar lesiones graves.

EQUIPO DE SEGURIDAD

Un casco para mini motocicleta aprobado por el DOT o por los estándares de Snell constituye la parte más importante de su equipo de seguridad porque puede ayudar a prevenir una lesión grave en la cabeza. Elija un casco que calce bien. Los vendedores minoristas pueden ayudarle a seleccionar un casco de buena calidad que calce correctamente.

Use siempre protección ocular cuando conduzca. Si una piedra o una rama le golpean los ojos, podrían producirle lesiones graves. Use gafas inastillables con la marca de cumplimiento de la norma Z87.1 del Instituto Americano de Normas Nacionales (ANSI).

ASENTAMIENTO

AVISO:

Siga detenida y correctamente los procedimientos de asentamiento. La inobservancia de los procedimientos de asentamiento reduce considerablemente la vida útil de su mini motocicleta causando desgaste excesivo y dañando el motor.

El primer mes es el más importante en la vida útil de su vehículo. Operar la unidad correctamente durante este período de asentamiento será útil para asegurar una vida útil y un rendimiento máximos de su nuevo mini motocicleta. Las siguientes pautas explican los procedimientos de asentamiento correctos.

Variar la velocidad de rotación del motor. Varíe la velocidad de rotación del motor durante el período de asentamiento. Esto permite que las piezas “se carguen” y, luego, “se descarguen” (lo que permite que las piezas se enfríen). Si bien es fundamental exigir en cierto grado los componentes del motor durante el período de asentamiento, debe tener cuidado de no cargar demasiado el motor.

Evite la velocidad de rotación baja o alta constante. Operar el motor a una velocidad de rotación baja constante (carga liviana) puede causar que las piezas se vitrifiquen y que no se sellen correctamente. Operar el motor a una velocidad de rotación alta constante puede causar calor excesivo, lo que puede dañar los componentes internos. Permita que el motor acelere libremente sin exceder el límite de aceleración máximo.



Permitir que el lubricante del motor circule antes de conducir el vehículo. Permita que haya un tiempo suficiente de funcionamiento en ralentí después de arrancar el motor en caliente o en frío. Esto permite que el lubricante llegue a todos los componentes críticos del motor.

Observar y documentar el servicio inicial, que es el más importante. El servicio inicial (mantenimiento de asentamiento) es el servicio más importante que recibirá su vehículo. Observar una operación de asentamiento correcta ayudará a que los componentes del motor se sellen de manera adecuada. El mantenimiento que se requiere como parte del servicio inicial incluye realizar los ajustes correspondientes, apretar todos los pernos y las tuercas, y reemplazar el aceite sucio. Realizar este servicio oportunamente le ayudará a lograr la mejor vida útil del motor y su mejor rendimiento.

⚠️ ADVERTENCIA:

Inspeccione siempre su mini motocicleta según la lista de verificación de inspección previa a la conducción del vehículo antes de conducir el vehículo y asegúrese de que se encuentre en condiciones de operación seguras. No inspeccionar el mini motocicleta antes de operar el vehículo podría aumentar las posibilidades de que se produzca un accidente, lo que puede provocar lesiones personales graves.

⚠️ ADVERTENCIA:

Use siempre el tamaño y el tipo de neumáticos especificados en este manual del operador. Mantenga siempre la presión correcta de los neumáticos, como se describe en la sección Mantenimiento de este manual y en la unidad. Operar este mini motocicleta con los neumáticos incorrectos o con la presión de aire incorrecta de los neumáticos podría ser peligroso. Si usa los neumáticos incorrectos o la presión de aire incorrecta, puede perder el control del mini motocicleta y causar un accidente, lo que podría provocar lesiones personales graves.

OPERACIÓN

QUÉ DEBE SABER ANTES DE CONDUCIR EL VEHÍCULO

Antes de conducir el vehículo, debe leer detenidamente toda la información siguiente y comprenderla, además de estar totalmente familiarizado con las *Reglas para una operación segura* que se encuentran en la portada de este manual. Si está preparado adecuadamente, tendrá un viaje más placentero.

Antes de conducir el vehículo, debe buscar un área plana y abierta con suficiente espacio, a fin de practicar las habilidades necesarias para operar este vehículo.

⚠ ADVERTENCIA:

El riesgo de que se produzca un accidente aumenta en gran medida si el operador no sabe cómo operar correctamente el mini motocicleta en diferentes situaciones y en diferentes tipos de terreno. Los operadores principiantes y sin experiencia deben llevar a cabo los cursos de capacitación certificados que ofrece la Fundación de Seguridad de Motocicletas (Motorcycle Safety Foundation) (www.msf-usa.org). Luego, deben practicar con regularidad las habilidades aprendidas en el curso y las técnicas de operación descritas en el manual del operador. La inobservancia de las técnicas de operación segura y correcta podría provocar lesiones personales graves.

Para obtener más información sobre el curso de capacitación, comuníquese con un distribuidor de mini motocicletas autorizado o llame a la Fundación de Seguridad de Motocicletas (Motorcycle Safety Foundation) al 1-800-446-9227. Para obtener más información sobre seguridad de mini motocicletas, comuníquese con la Línea de ayuda de Baja sobre mini motocicletas, llamando al: 1-866-260-8630.

No opere el mini motocicleta en lugares cerrados donde haya poca ventilación o que no tengan ventilación. Aspirar gases de escape provenientes del mini motocicleta podría causar lesiones graves o muerte. Siempre ponga en funcionamiento su mini motocicleta al aire libre donde haya aire fresco.

Asegúrese de que esté permitido conducir el vehículo en el área que seleccionó, cumpla con todas las leyes y asegúrese de no transgredirlas. Llame a la policía si no sabe dónde puede conducir el vehículo.

Proteja sus áreas de conducción. Al conducir el vehículo, recuerde mantener el terreno en buenas condiciones. No destruya las plantas, los árboles ni otra vegetación. No arroje desperdicios ni altere la vida silvestre. Con su ayuda, el área de conducción para este tipo de vehículos puede permanecer abierta para su uso en el futuro.

Después de que haya encontrado un buen lugar para practicar, revise el sistema de controles de su mini motocicleta antes de conducir el vehículo. Aprenda a encontrar esos controles sin tener que buscarlos, porque no tendrá tiempo de hacerlo cuando esté conduciendo el vehículo.

NOTA: Obtenga, revise y obedezca todas las leyes, disposiciones y reglamentaciones relacionadas con la tenencia y la operación de un vehículo todoterreno.

⚠ ADVERTENCIA:

Nunca conduzca su minimotocicleta sobre un lago o un río congelados. Si la superficie de hielo se rompe, podrían producirse lesiones graves o la muerte.

COMBUSTIBLES OXIGENADOS

AVISO:

No utilice combustibles E15, E20 o E85 (ni combustibles que contengan más de 10 % de etanol) con este producto. Esto constituye una violación a la ley federal, dañará la unidad y anulará la garantía.

No están cubiertos en la garantía los problemas de desempeño o daños al sistema de combustible producidos por el uso de un combustible oxigenado con un contenido superior a los porcentajes de alcohol o compuesto de éter señalados abajo.

Etanol. Las gasolinas con un contenido de 10% de etanol por volumen (comúnmente conocida como E10) es aceptables. **Las gasolinas E15, E20 y E85 no lo son.**

ABASTECIMIENTO/REABASTECIMIENTO DE COMBUSTIBLE DEL MINIMOTOCICLETA

⚠ ADVERTENCIA:

La gasolina y sus vapores son extremadamente inflamables y explosivos. Para evitar lesiones personales graves y daños a los bienes, manipule con cuidado la gasolina. Manténgala lejos de fuentes de ignición y llamas abiertas, manipúlela solamente al aire libre, no fume, y limpie de inmediato cualquier derrame.

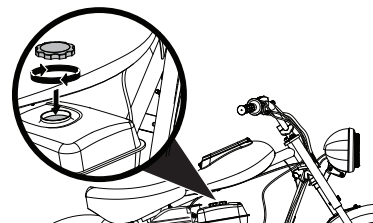
⚠ ADVERTENCIA:

Reabastecer combustible al minimotocicleta de manera incorrecta podría ser peligroso. El incumplimiento de las precauciones de seguridad al reabastecer combustible podría provocar un incendio o una explosión, o que usted aspire vapores tóxicos, lo que causaría lesiones personales graves.

⚠ ADVERTENCIA:

Apague siempre el motor antes de reabastecer combustible. Nunca agregue combustible a un minimotocicleta con el motor en funcionamiento o con el motor caliente. No fume ni permita la presencia de llamas ni chispas a los alrededores mientras se reabastece combustible a la unidad. Trabaje siempre en un área bien ventilada. Aléjese, al menos, 9,1 m (30 pies) del sitio de reabastecimiento antes de arrancar el motor. El manejo incorrecto del combustible podría provocar lesiones personales graves.

- Deje enfriar la unidad antes de reabastecerla de combustible o de volver a encenderla.
- Limpie la superficie que rodea la tapa de combustible para evitar la contaminación.
- Gire lentamente la tapa del tanque de combustible hacia la izquierda y retírela.



OPERACIÓN

ADVERTENCIA:

Si al aflojar la tapa del tanque de combustible se escucha un sonido, como de silbido, lleve a inspeccionar y reparar el vehículo antes de continuar operándolo. La inobservancia de esta advertencia podría causar que el combustible se recaliente, lo que puede provocar un incendio o una explosión que, a su vez, causaría lesiones personales graves.

- Vierta cuidadosamente el combustible en el tanque hasta que el nivel alcance aproximadamente 50,8 mm (2 in) debajo de la parte superior de la abertura del tanque de combustible. Evite los derrames.
- Vuelva a colocar la tapa del tanque de combustible y gírela hacia la derecha para asegurarla.

ADVERTENCIA:

Verifique que no haya fugas de combustible. Una tapa de combustible con fugas constituye un peligro de incendio y debe ser reemplazada inmediatamente con una tapa de repuesto del fabricante original. Si encuentra alguna fuga, corrija el problema antes de usar el producto. La inobservancia de esta advertencia podría provocar un incendio que podría causar lesiones personales graves.

ADVERTENCIA:

Llenar excesivamente el tanque de combustible podría ser peligroso. Si llena excesivamente el tanque de combustible, el combustible puede desbordarse al expandirse debido al calor proveniente del motor o del sol. El combustible derramado podría prenderse fuego o explotar, lo que puede provocar lesiones personales graves.

ADVERTENCIA:

No llevar a cabo la inspección previa a la conducción del vehículo ni verificar el rendimiento correcto del minimotocicleta antes de conducirlo pueden provocar lesiones personales graves.

INSPECCIÓN PREVIA

ELEMENTO QUE DEBE VERIFICAR	EL ELEMENTO DEBE FUNCIONAR DE LA SIGUIENTE MANERA:
Dirección	Suavidad, sin restricción de movimientos, sin holgadura ni tampoco debe estar floja.
Frenos	Holgadura correcta de la palanca de frenos; suficiente fuerza de frenado; efectividad del freno de estacionamiento.
Neumáticos	Presión de aire correcta; suficiente espesor de la banda de rodadura; sin grietas, rasgones ni otros daños.
Combustible	Suficiente combustible para el viaje previsto.
Tapa del tanque de combustible	Manguera de ventilación de combustible instalada correctamente; sin daños en el tanque de combustible ni en su tapa; tapa del tanque de combustible cerrada firmemente.

Interruptor de apagado del motor	Funcionamiento correcto del interruptor. Arranque el motor; luego, presione el interruptor de apagado. El motor debe apagarse.
Lubricante del motor	Nivel correcto; verificar el lubricante inspeccionando la varilla de nivel de aceite del motor. El lubricante del motor debe estar entre las líneas de mínimo y máximo.
Acelerador	Holgadura correcta de la palanca del acelerador; respuesta sin problemas; regreso rápido a la posición de funcionamiento en ralentí.
Condición general	Los pernos y las tuercas están bien apretados; ninguna de las piezas del motor hacen ruido cuando el motor está en funcionamiento; no hay evidencias visibles de daños, incluidos los soportes del bastidor.

ARRANQUE DEL MOTOR

- Coloque el interruptor del motor en la posición ON (encendido).
- Gire la válvula de combustible a la posición ON (encendido).
- Coloque la palanca del anegador en la posición ON (encendido).
- Tire con fuerza de la cuerda hasta que empiece a funcionar el motor. Deje que se retraiga suavemente la cuerda en la unidad. No permita que la cuerda se retraiga violentamente.
- Deje que se caliente el motor y, luego, coloque la palanca del anegador en la posición OFF (apagado).

NOTA: El motor puede funcionar mejor con la palanca del anegador entre las posiciones ON (encendido) y OFF (apagado).

ADVERTENCIA:

Cuando quiera acelerar, hágalo siempre gradualmente. Acelerar repentinamente podría causar que las ruedas delanteras se desprendan del suelo y que pierda el control del minimotocicleta, lo que causaría lesiones personales graves.

ADVERTENCIA:

Mantenga siempre las dos manos en las barras del manubrio y los dos pies en los apoyapiés de su minimotocicleta durante la operación. Incluso levantar una mano o un pie puede reducir su capacidad de controlar el mini motocicleta o podría causar que pierda su estabilidad y se caiga del mini motocicleta. Si levanta un pie del apoyapiés, puede tener contacto con el mini motocicleta, el suelo, obstáculos, etc., lo que podría causar un accidente y provocar lesiones personales graves.

APAGADO DEL MOTOR

- Gire la empuñadura del acelerador hacia adelante (lejos de usted) para reducir la velocidad del motor.
- Coloque el interruptor del motor en la posición OFF (apagado).
- Coloque la palanca del anegador en la posición OFF (apagado).
- Gire la válvula de combustible a la posición OFF (apagado).

MANTENIMIENTO

INSPECCIÓN Y PROGRAMA DE MANTENIMIENTO

Es muy importante inspeccionar y dar mantenimiento a su mini motocicleta con regularidad. Siga las pautas del siguiente cuadro. Se muestran los intervalos en meses entre servicios periódicos. Al final de cada intervalo, asegúrese de realizar y documentar el mantenimiento que se enumera.

El propietario puede elegir un taller o una persona que realice el mantenimiento, los cambios o las reparaciones de los dispositivos o sistemas del control de emisiones.

ADVERTENCIA:

No realizar el mantenimiento recomendado o realizarlo incorrectamente puede originar un accidente y causar lesiones personales graves, causar el incumplimiento de las reglamentaciones sobre emisiones y puede anular su garantía. Si no está seguro sobre cómo realizar el mantenimiento de los siguientes elementos, comuníquese con su centro de servicio autorizado de Baja o con Baja Motorsports.

Elemento	Cada uso	Primer mes o 20 horas	Cada 3 meses o 50 horas	Cada 6 meses o 100 horas	Cada año o 300 horas
Aceite del motor – Verifique	X				
Aceite del motor – Cambie*		X		X	
Filtro de aire – Verifique	X				
Filtro de aire – Limpiar*			X	X	
Filtro de aire – Cambie*					X
Receptáculo de sedimento del carburador – Limpiar*				X	
Bujía – Verifique, Ajuste				X	
Bujía – Reemplace					X
Velocidad de ralentí – Verifique, Ajuste					X
Tanque de combustible y filtro – Limpiar				X	
Tubo de combustible – Verifique					X
Embrague centrífugo – Limpiar y lubrique	X Cada 5 horas				
Pernos del suspensión delantero – Apriete para personalizar	X				
Tuercas y pernos – Verifique si está apretado	X				
Tensión de la cadena – Verifique	X				
Frenos – Verifique*	X				
Acelerador – Verifique*	X				
Cable del acelerador – Verifique*	X				

* – Esta tarea de mantenimiento debe realizarse en un centro de servicio. También puede realizarlo el usuario consultando este manual siempre que se utilicen herramientas especiales y piezas de repuesto autorizadas. El usuario también debe poder completar el procedimiento.

AVISO:

Si opera su mini motocicleta en condiciones exigentes, requerirá un mantenimiento más frecuente que el que se muestra en el cuadro anterior. Las condiciones exigentes incluyen operar el vehículo a toda marcha con frecuencia o en áreas polvorientas, mojadas, arenosas o con lodo. Si tiene preguntas respecto a los intervalos correctos de mantenimiento para su mini motocicleta, comuníquese con su centro de servicio autorizado de Baja o con Baja Motorsports.

MANTENIMIENTO

⚠ ADVERTENCIA:

Antes de inspeccionar, limpiar o dar servicio al mini motocicleta, apague el motor, espere a que todas las piezas en movimiento se detengan, asegúrese de que el interruptor del motor esté en posición OFF (apagado) y desconecte el cable de bujía. La inobservancia de estas instrucciones puede provocar lesiones personales graves o daños a los bienes.

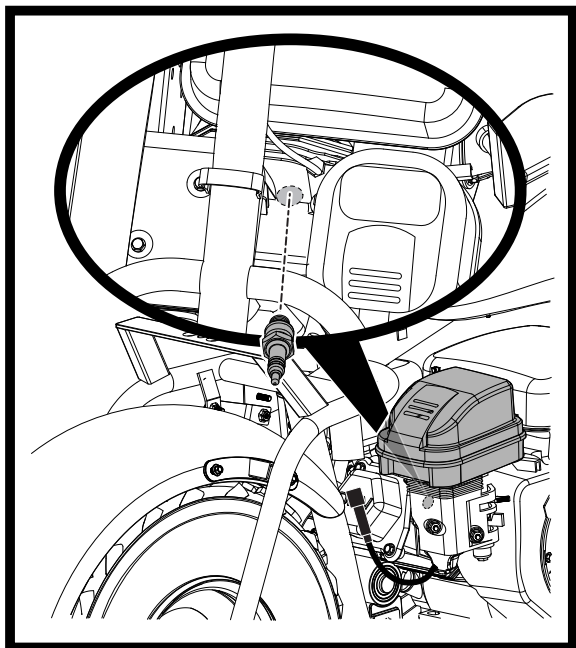
BUJÍA

Su mini motocicleta está equipado con una bujía NGK BP6ES. Para determinar si la bujía estándar está en buenas condiciones, verifique el color del aislante del electrodo central de la bujía después de la operación del vehículo. El color marrón indica que la bujía está bien. Un aislante blanco u oscuro indica que el motor puede necesitar un ajuste u otro tipo de bujía. Consulte con su distribuidor autorizado o con Baja Motorsports en caso de que su aislante de la bujía no esté de color marrón claro.

NOTA: Este mini motocicleta usa una bujía tipo resistor para evitar el bloqueo de las piezas electrónicas. La elección incorrecta de una bujía puede causar interferencia electrónica con el sistema de encendido de su mini motocicleta, lo que puede provocar problemas en el rendimiento del vehículo. También podría tener un ajuste incorrecto o un rango de calor incorrecto para su motor, lo que podría causar daños graves al motor y anular la garantía. Use únicamente las bujías recomendadas: NGK BP6ES o un producto equivalente.

Para instalar una bujía, introdúzquela y gírela con los dedos tanto como sea posible; luego, apriétela con una llave, aproximadamente, 1/2 vuelta más de lo que ajustó manualmente (si la bujía es nueva) o 1/4 vuelta más de lo que ajustó manualmente (si está volviendo a colocar la vieja bujía). Tenga cuidado de enroscar la bujía correctamente para no dañar las roscas de aluminio de la culata.

Para que la bujía funcione correctamente, cuide que no se acumule carbono. Retire el carbono de la bujía con un alambre o un pasador y ajuste la luz a 0,6-0,7 mm (0,024-0,028 pulg.) para un buen encendido. Use un medidor de espesor para verificar la luz.



AVISO:

Mantenga cubierto el orificio de la bujía mientras la bujía no esté en su lugar, de modo que no ingrese suciedad en el orificio abierto. La suciedad que ingresa por el orificio de la bujía al cilindro podría dañar las piezas móviles del motor.

CÓMO CAMBIAR/AGREGAR LUBRICANTE DEL MOTOR

El lubricante del motor influye en gran medida en el rendimiento y en la vida útil del motor. El nivel del lubricante del motor debe revisarse antes de cada uso del mini motocicleta.

Para lograr el mejor rendimiento del motor, cambie el lubricante cada 20 a 40 horas de operación. En áreas sucias y polvorientas, el lubricante debe cambiarse con más frecuencia.

Consulte el siguiente cuadro para conocer cuál es el lubricante de motor correcto que se debe usar en función del rango de temperatura en su área.

NOTA: En temperaturas muy bajas [por debajo de los 15 °C (5 °F)], use lubricante 10W-50 según las especificaciones de la Sociedad de Ingenieros Automotores (Society of Automotive Engineers, SAE) para asegurar un buen arranque y una operación sin problemas.

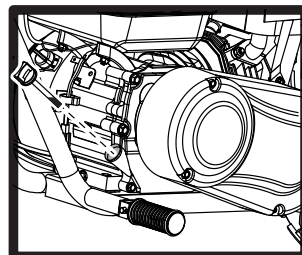
LUBRICANTE DE MOTOR	SAE 10W-30								
	SAE 20W-40								
	SAE 10W-50								
	SAE 15W-40								
TEMP.	°C	-30	-20	-10	0	10	20	30	40
	°F	-22	-4	14	32	50	68	86	104

Use siempre un lubricante de motor de 4 tiempos que cumpla o supere los requisitos de la clasificación de servicio SJ del Instituto Americano del Petróleo (American Petroleum Institute, API). Verifique el nivel de lubricante antes de cada uso.

NOTA: Los lubricantes no detergentes o los lubricantes de motor de 2 tiempos dañan el motor y, por eso, no deben utilizarse.

Para verificar el nivel del lubricante:

- Estacione el vehículo en una superficie nivelada y más bajo la pedestal lateral.
- Desenrosque la tapa de aceite/la varilla de nivel y retírela.
- Limpie la varilla de nivel; vuelva a colocarla en el orificio y apriete.
- Retire la varilla de nivel e inspeccione el nivel del lubricante. El nivel debe estar entre las marcas de mínimo y de máximo de la varilla de nivel.
- Si el lubricante está por debajo de la marca de mínimo de la varilla de nivel, agregue lubricante hasta que el nivel quede entre las marcas de mínimo y de máximo de la varilla de nivel.



MANTENIMIENTO

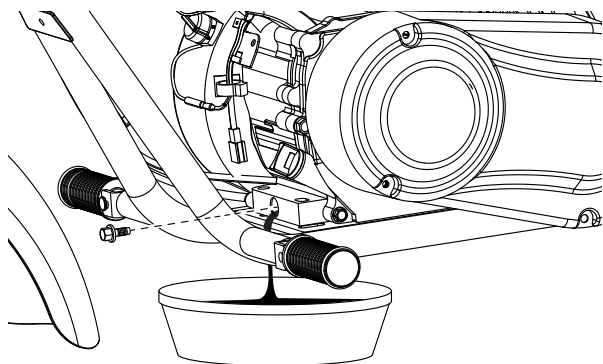
Para cambiar el lubricante del motor:

El lubricante debe cambiarse mientras el lubricante del motor aún está tibio, pero no caliente. Esto permite que el lubricante drene rápida y completamente.

ADVERTENCIA:

No cambie el lubricante del motor cuando esté caliente. El contacto accidental con el lubricante del motor caliente podría provocar quemaduras graves.

- Estacione el vehículo en una superficie nivelada y más bajo la pedestal lateral.
- Retire la tapa de aceite/varilla de nivel.
- Coloque un recipiente debajo del perno de drenaje de aceite para recolectar el lubricante usado a medida que drene.
- Desatornille el perno de drenaje de aceite y retire el perno y el arandela.
- Deje que el aceite drene completamente.

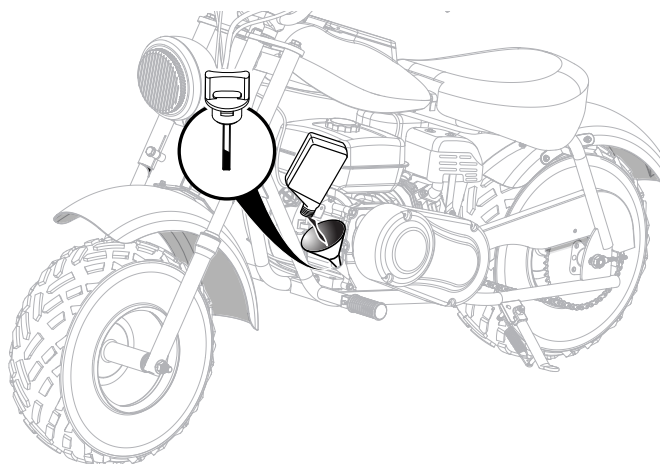


- Vuelva a instalar el perno de drenaje de aceite. Apriete el perno de drenaje de aceite a un par de torsión de 19 a 20 Nm (14 a 15 pies libra).
- Llene la caja del cigüeñal con el lubricante especificado, como se describe al principio de esta sección.

AVISO:

Intentar arrancar el motor antes de haberlo llenado correctamente con lubricante provocará una falla del equipo.

NOTA: El lubricante usado debe desecharse en un lugar de desecho aprobado. Consulte a su vendedor minorista de aceite local para obtener más información.



VERIFICACIÓN/LIMPIEZA DEL FILTRO DE AIRE

El elemento del filtro de aire debe mantenerse limpio para asegurar una buena potencia del motor. Si utiliza su vehículo en condiciones normales y de baja tensión, debe brindar servicio al filtro de aire en los intervalos especificados. Si conduce en áreas polvorientas, mojadas o con lodo, tendrá que inspeccionar el elemento del filtro de aire con mucha más frecuencia.

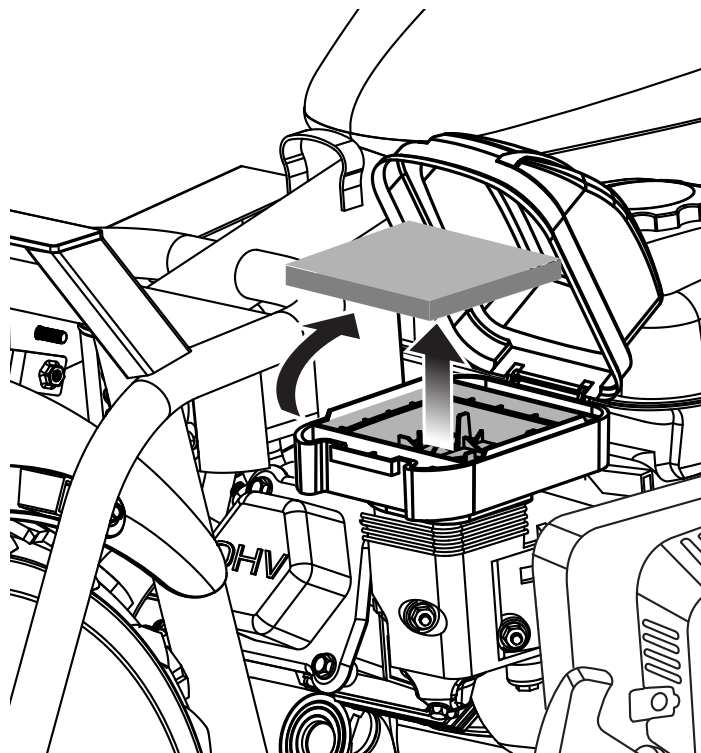
AVISO:

Siempre verifique el elemento del filtro de aire después de conducir en condiciones exigentes y límpielo o reemplácelo, según sea necesario. Operar el mini motocicleta con un filtro de aire obstruido podría causar daños en el motor.

Cómo retirar y limpiar el filtro de aire:

- Abra la tapa del filtro de aire.
- Retire el elemento del filtro de aire de la caja.
- Lave el elemento en agua tibia enjabonada.
- Escurra el agua presionando el elemento o con las palmas de ambas manos. No retuerza ni apriete el elemento, ya que se formarán grietas.
- Sumerja el elemento en aceite y, luego, escúrralo como en el paso anterior, para eliminar el exceso. El elemento debe estar húmedo con aceite, pero no empapado.
- Reemplace el elemento del filtro de aire en la caja. Asegúrese de que el elemento esté bien colocado en su posición y esté correctamente sellado.
- Cierre la tapa del filtro de aire.

NOTA: No ponga en funcionamiento el motor sin el elemento del filtro de aire en el lugar. Esto ocasiona el desgaste rápido del motor.



MANTENIMIENTO

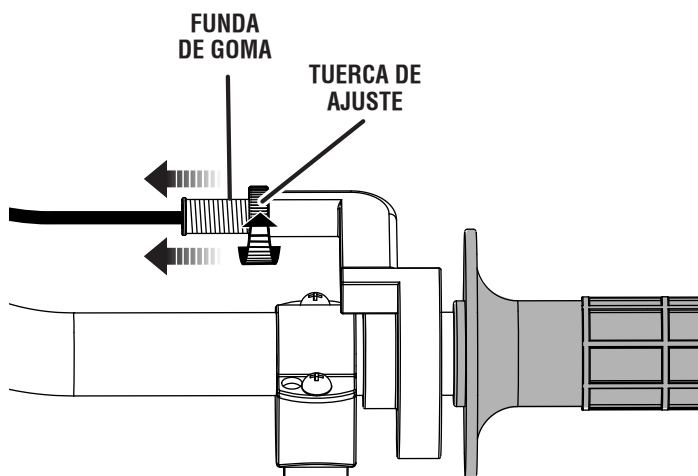
AJUSTE DE LA EMPUÑADURA DEL ACELERADOR

Una distancia libre insuficiente de la empuñadura del acelerador podría causar que la velocidad del motor aumente repentinamente cuando usted gira las barras del manubrio. La distancia correcta de holgura libre del acelerador es entre 2 mm (0,078 pulg.) y 6 mm (0,24 pulg.). Si hay un movimiento mayor o menor, ajuste la empuñadura del acelerador de la siguiente manera:

- Tire hacia atrás la funda de goma para tener acceso a la tuerca de ajuste.
- Gire la tuerca de ajuste hacia adentro o hacia afuera para obtener la holgura correcta.
- Vuelva a verificar la distancia libre de la empuñadura del acelerador. Reajústela si todavía no se encuentra dentro de los límites correctos.

⚠ ADVERTENCIA:

No opere el mini motocicleta si la distancia de holgura libre de la empuñadura del acelerador es menor de 2 mm (0,078 pulg.) o mayor de 6 mm (0,24 pulg.). Operar el vehículo con una cantidad incorrecta de holgura libre de la palanca del acelerador podría causar que el conductor pierda el control, lo que puede provocar lesiones personales graves.



AJUSTE DE LA VELOCIDAD DE RALENTÍ

Puede producirse un desgaste excesivo del motor cuando la velocidad de ralentí es incorrecta. Una velocidad de ralentí demasiado alta también podría causar que el mini motocicleta se sacuda hacia adelante cuando usted arranca el motor.

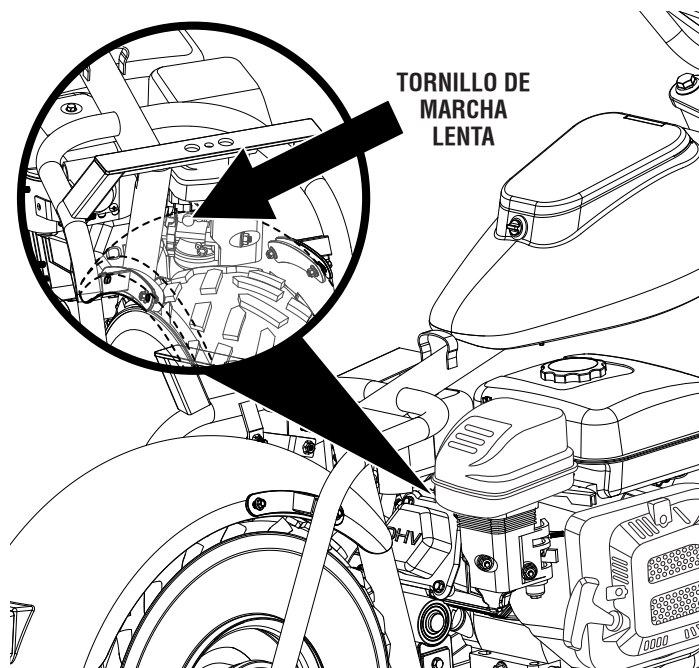
NOTA: Debe contar con un tacómetro para ajustar la velocidad de ralentí. Si no tiene uno, haga que un centro de servicio autorizado lleve a cabo este servicio.

Para ajustar la velocidad de ralentí:

- Arranque el motor y deje que se caliente.
- Gire el tornillo de ralentí del motor hacia adentro o hacia afuera hasta que la velocidad de ralentí del motor indique entre 1 400 y 1 600 r/min (RPM) en el tacómetro.

AVISO:

Asegúrese de que el motor esté totalmente caliente antes de ajustar la velocidad de ralentí. Ajustar la velocidad de ralentí antes de que el motor esté caliente podría provocar un desgaste excesivo del motor.



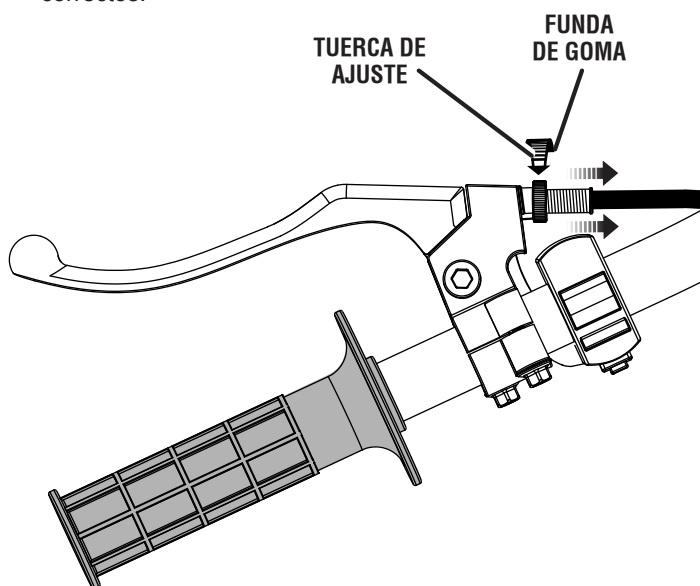
MANTENIMIENTO

⚠ ADVERTENCIA:

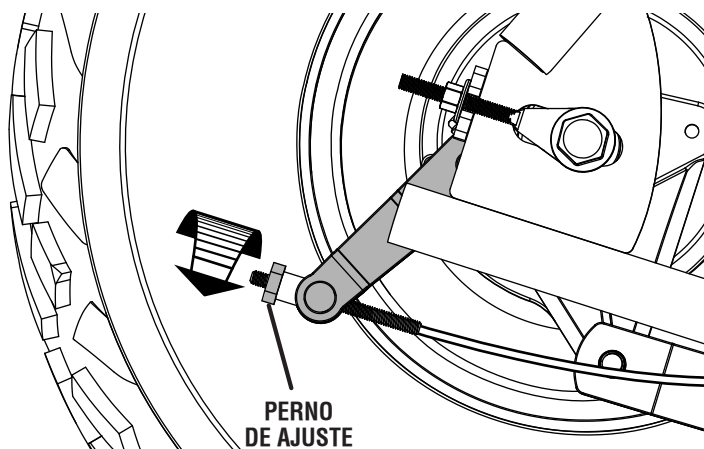
No ajustar los frenos de modo que traben bien las ruedas podría provocar lesiones personales graves.

AJUSTE DE LOS FRENOS

- Mida la cantidad de holgura libre en la palanca de frenos. La holgura libre debe ser de, aproximadamente, 5 - 7 mm (0,2 - 0,3 in).
- Tire hacia atrás la funda de goma para tener acceso a la tuerca de ajuste.
- Ajuste los frenos girando la tuerca de ajuste hacia la derecha para aflojar la tensión de los frenos, y hacia la izquierda para apretarla.
- Vuelva a verificar la distancia libre de la palanca de frenos. Reajústela si todavía no se encuentra dentro de los límites correctos.



- Para realizar ajustes en la almohadilla de los frenos, gire el perno de ajuste hacia la derecha para aflojar la tensión de los frenos, y hacia la izquierda para apretarla.
- Las almohadillas de los frenos deben ser reemplazadas por un técnico de servicio calificado cuando las zapatas del freno estén desgastadas.



INSPECCIÓN DE LA CADENA DE TRANSMISIÓN/RUEDAS DENTADAS

Se deben revisar la condición y el ajuste de la cadena de transmisión antes de conducir el vehículo. Siempre siga las pautas que se enumeran a continuación antes de inspeccionar y dar servicio a la cadena.

⚠ ADVERTENCIA:

Siempre inspeccione la cadena de transmisión antes de conducir el mini motocicleta. No mantener la cadena de transmisión en forma adecuada y/o conducir con la cadena en malas condiciones podría originar un accidente y causar lesiones personales graves.

Inspección de la cadena de transmisión:

Al inspeccionar la cadena de transmisión, busque lo siguiente:

- Pasadores sueltos.
- Rodillos dañados.
- Eslabones secos u oxidados.
- Eslabones retorcidos o atorados.
- Desgaste excesivo.

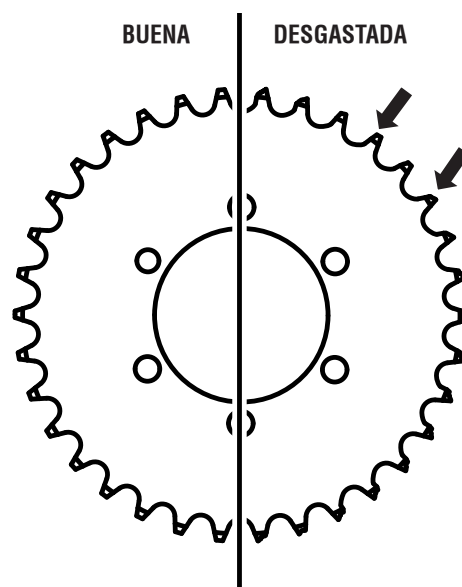
Si detecta algún problema en la cadena de transmisión, resuélvalo reparando o reemplazando la cadena. Si es necesario, consulte a su centro de servicio local autorizado.

Inspección de las ruedas dentadas:

Una cadena desgastada puede tener un efecto adverso en las ruedas dentadas. Por lo tanto, cada vez que detecte algún daño en la cadena de transmisión, también debe revisar las ruedas dentadas delanteras y traseras. Al inspeccionar las ruedas dentadas, busque lo siguiente:

- Dientes excesivamente desgastados
- Dientes rotos o dañados
- Tuercas de montaje sueltas de las ruedas dentadas

Si detecta algún problema en las ruedas dentadas, consulte a su centro de servicio local autorizado.



MANTENIMIENTO

MANTENIMIENTO DEL EMBRAGUE

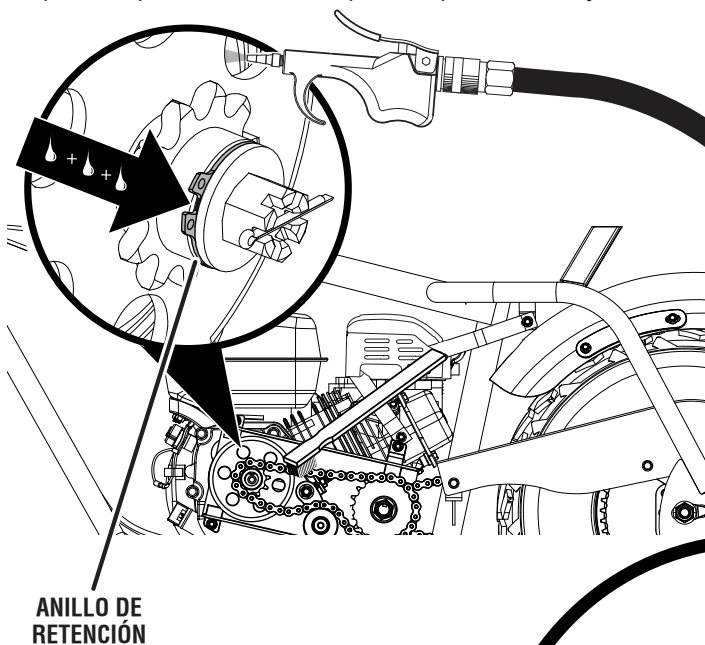
Después de cada 5 horas de uso, deberá limpiar y lubricar el embrague. Si el embrague está demasiado sucio o no está lubricado, comenzará a atorarse, y esto podría hacer que la mini motocicleta se mueva sin que se accione el acelerador.

⚠ ADVERTENCIA:

No realizar el mantenimiento del embrague que se describe a continuación puede provocar movimientos no intencionales en la mini motocicleta y causar lesiones personales graves.

Para limpiar y lubricar el embrague:

- Apague el motor y permita que se enfríe completamente.
- Sople a través de los orificios del tambor del embrague con aire comprimido para eliminar el polvo y/o las partículas.
- Ubique el anillo de retención en la rueda dentada al final del embrague. Agregue unas gotas de aceite para motor en la abertura de los extremos del anillo de retención, esto permitirá que el aceite llegue al buje ubicado detrás del anillo de retención. No permita que el aceite ingrese al embrague.
- Empuje la mini motocicleta hacia adelante sin arrancarla para permitir que el aceite circule por la superficie del cojinete.



LIMPIEZA/AJUSTE DE LA CADENA DE TRANSMISIÓN

La cadena de transmisión debe limpiarse, lubricarse e inspeccionarse cada vez que conduzca el mini motocicleta.

⚠ ADVERTENCIA:

Siempre inspeccione la tensión de la cadena de transmisión antes de que conduzca el mini motocicleta. Demasiada holgura podría hacer que la cadena de transmisión se desprenda de las ruedas dentadas, lo que podría causar un accidente y provocar lesiones personales graves o producir daños graves en el mini motocicleta.

Limpieza de la cadena de transmisión:

- Lave la cadena de transmisión con un limpiador de cadena aprobado.
- Seque la cadena y, luego, aplique lubricante para cadenas o un producto equivalente.

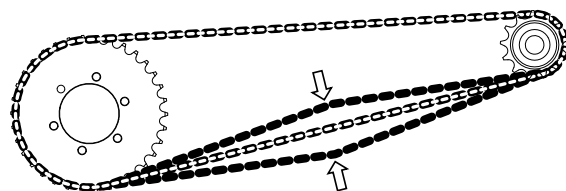
Ajuste de la cadena de transmisión:

Para obtener un desempeño apropiado, la holgura de la cadena de transmisión nunca debe ser mayor de 15-20 mm (0,5-0,75 pulg.).

NOTA: La cadena debe reemplazarse cuando alcance su límite de ajuste máximo.

Para ajustar:

- Afloje el perno de eje trasero.
- Gire las tuercas de ajuste de la cadena en el lado izquierdo y derecho para ajustar la tensión de la cadena.
- Vuelva a apretar el perno de eje trasero. Apriete a un par de torsión de entre 50 y 60 Nm (37 y 44 pi.lb.).



TUERCA DE AJUSTE DE LA CADENA

PERNO DE EJE TRASERO

TUERCA DE AJUSTE DE LA CADENA

PERNO DE EJE TRASERO

PERNO DE EJE TRASERO

TUERCA DE AJUSTE DE LA CADENA

MANTENIMIENTO

MANTENIMIENTO DE LOS NEUMÁTICOS

Este mini motocicleta está equipado con neumáticos sin cámara de baja presión del tamaño y del tipo que se indican a continuación:

	Delanteros	Traseros
Tamaño	19x7-8	19x7-8

Presión de aire de los neumáticos

Antes de conducir el vehículo, verifique la presión de aire de todos los neumáticos. Una presión de aire incorrecta afecta la maniobrabilidad, la respuesta de la dirección, la tracción, la vida útil del neumático y la comodidad del conductor. Asegúrese de que todos los neumáticos estén inflados, según las presiones que se indican a continuación.

NOTA: La presión de los neumáticos solo debe medirse o ajustarse cuando los neumáticos estén fríos.

Presión recomendada
12 psi (82,7 kpa)

ADVERTENCIA:

Verifique detenidamente la presión de los neumáticos mientras los infla. Demasiado aire en un neumático podría causar que este explote, lo que causaría lesiones personales graves.

ADVERTENCIA:

Mantener la presión de aire correcta en los neumáticos es muy importante. Demasiado poca presión podría hacer que el neumático gire y se salga de la llanta de la rueda. Demasiada presión podría causar que el neumático explote. No mantener la presión de aire correcta en los neumáticos podría causar problemas en la operación y en la estabilidad del vehículo, lo que causaría lesiones personales graves.

REPARACIÓN DE NEUMÁTICOS

En caso de que un neumático tenga una fuga o esté desinflado debido a un pinchazo, puede repararlo usando un parche tipo tapón. Si el daño se debe a un corte, o si el pinchazo no puede ser reparado con un tapón, se debe reemplazar el neumático.

Al operar su mini motocicleta en áreas donde todavía no haya transporte ni instalaciones de servicio fácilmente disponibles, lleve con usted un juego de parches tipo tapón para reparación y una bomba de aire para neumáticos.

CAMBIO DE NEUMÁTICOS

Cuando los neumáticos están desgastados, la tracción del vehículo disminuye, lo que aumenta las posibilidades de tener un accidente. Los neumáticos deben cambiarse cuando el espesor de la banda de rodamiento es de 4 mm (0,16 pulg.) o menos. Use siempre neumáticos de repuesto idénticos. Usar neumáticos incorrectos en la unidad podría causar una pérdida de control, lo que podría aumentar su riesgo de tener un accidente.

Haga que un centro de servicio autorizado o una estación de reparación de neumáticos calificada reemplacen los neumáticos.

LIMPIEZA

Una limpieza minuciosa del mini motocicleta es una parte necesaria del mantenimiento. Ayudará a mantener un aspecto y un rendimiento óptimos del mini motocicleta. Una limpieza adecuada también puede prolongar la vida útil del mini motocicleta.

Limpie e inspeccione el mini motocicleta después de cada viaje, especialmente, si lo utiliza en áreas con lodo, arbustos, pasto, agua, agua salada o en áreas muy polvorientas. La acumulación de lodo, arbustos, pasto, etc., especialmente en el motor y en el sistema de escape, puede reducir la capacidad de enfriado del motor, ocultar daños o aumentar el desgaste de determinadas piezas. Retire todos los desechos durante la limpieza.

El mini motocicleta debe lavarse antes de que el lodo se seque sobre la unidad. Evite salpicar con agua el interruptor de encendido, la bujía, la tapa del tanque de combustible, el carburador, cadena de transmisión o el filtro de aire y no permita que el agua ingrese en estas piezas.

NOTA: No use lavadoras de alta presión, como las que se encuentran en los lavaderos de autos, ya que podrían causar daños mecánicos, eléctricos y otros tipos de daños.

- Lave la unidad a mano con un jabón o detergente suave y agua. Trate de remover completamente toda la suciedad y los desechos sin aplicar excesiva presión de agua, incluso en las áreas de difícil acceso, como entre las aletas de refrigeración del motor, las uniones o los soportes de montaje. Puede usar trapos de tela, guantes para lavado de automóviles o cepillos de limpieza, pero tenga cuidado con los cepillos, ya que pueden rayar las superficies pintadas o de plástico.
- Enjuague bien la unidad con agua limpia.
- Seque todas las áreas usando una gamuza o un paño suave absorbente o deje secar la unidad al aire libre.
- Lubrique la cadena y ponga a funcionar el motor a velocidad de ralentí durante algunos minutos.
- Siga los procedimientos incluidos en la sección **Inspección previa a la conducción del vehículo** para detectar en la unidad cualquier problema que pueda haberse producido durante su último viaje.
- Después de lavar su mini motocicleta, pruebe los frenos conduciendo a baja velocidad. Si es necesario, accione los frenos varias veces para permitir que la fricción seque los forros del freno. Es posible que los frenos mojados no proporcionen tanto poder de frenado como los frenos secos.

ADVERTENCIA:

Operar el mini motocicleta a altas velocidades cuando los frenos están mojados podría provocar lesiones personales graves.

MANTENIMIENTO

CÓMO GUARDAR EL MINI MOTOCICLETA

Si no usa el mini motocicleta durante un tiempo prolongado, deberá realizar un servicio especial que requiere materiales, equipos y habilidades adecuados. Por este motivo, le recomendamos que confíe este trabajo de mantenimiento a un centro de servicio autorizado. Si desea realizar usted mismo el servicio de la máquina para guardarla, siga las pautas generales.

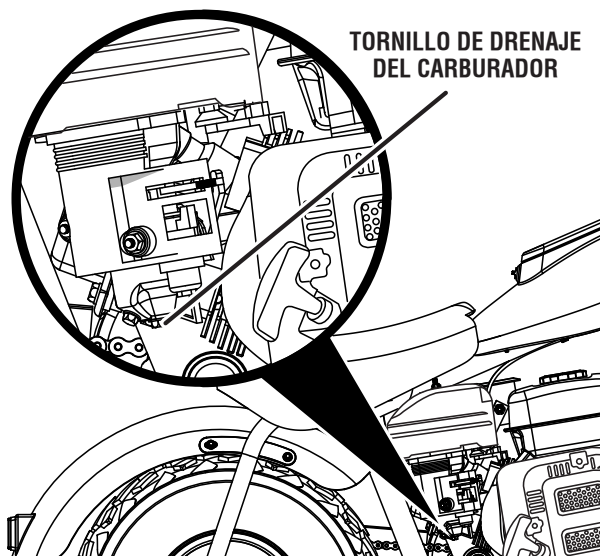
LUBRICANTE DE MOTOR:

- Cambie el lubricante de motor.

COMBUSTIBLE:

- Drene el combustible del tanque de combustible usando una bomba manual. Rocíe el aceite antioxidante pulverizado en la pared interior del tanque y, luego, cierre el tanque.
- Drene el combustible del carburador aflojando el tornillo de drenaje del carburador.

NOTA: El combustible utilizado debe desecharse correctamente para cumplir con las leyes y ordenanzas locales, y no debe tener un efecto adverso en el medioambiente.



BUJÍA:

- Quite la bujía.
- Vierta aproximadamente 15-20 ml (0,5-0,68 oz) de lubricante de motor limpio en el cilindro.
- Tire de la cuerda hasta la mitad varias veces para distribuir el aceite a través del motor.
- Vuelva a colocar la bujía.

NEUMÁTICOS:

- Infle los neumáticos a la presión normal.

NOTA: La presión de los neumáticos solo debe medirse o ajustarse cuando los neumáticos estén fríos.

Presión recomendada
12 psi (82,7 kpa)

⚠ ADVERTENCIA:

Verifique detenidamente la presión de los neumáticos mientras los infla. Demasiado aire en un neumático podría causar que este explote, lo que causaría lesiones personales graves.

⚠ ADVERTENCIA:

Mantener la presión de aire correcta en los neumáticos es muy importante. Demasiado poca presión podría hacer que el neumático gire y se salga de la llanta de la rueda. Demasiada presión podría causar que el neumático explote. No mantener la presión de aire correcta en los neumáticos podría causar problemas en la operación y en la estabilidad del vehículo, lo que causaría lesiones personales graves.

VEHÍCULO:

- Coloque el vehículo en un suelo nivelado.
- Lave el vehículo.
- Rocíe todas las piezas de vinilo y de caucho con un producto de protección para caucho.
- Rocíe las superficies que no estén pintadas con un producto para prevenir el óxido.
- Cubra las superficies pintadas con cera para automóviles.
- Guarde la mini motocicleta en posición elevada en bloques de madera sin que las dos ruedas toquen el suelo. Coloque el vehículo en un lugar con sombra y fresco, lejos de la humedad y de la luz solar directa. Cúbralo correctamente (no con materiales de plástico ni pintados). Si es posible, guárdelo en un garage.

PROCEDIMIENTO PARA DEVOLVER EL VEHÍCULO PARA EL SERVICIO:

- Cambie el lubricante de motor si la unidad no se utilizó durante más de 4 meses.
- Drene el aceite antioxidante pulverizado del tanque de combustible y reabastézcalo de gasolina fresca.
- Limpie todo el vehículo.
- Asegúrese de que el vehículo esté correctamente lubricado.
- Realice la **Inspección previa a la conducción del vehículo**, como se indicó previamente.

CORRECCIÓN DE PROBLEMAS

Se suministra esta guía de corrección de problemas para ayudarle a encontrar la causa de algunas reclamaciones frecuentes. Si estas soluciones no resuelven el problema, comuníquese con su distribuidor de servicio autorizado.

RECLAMACIÓN: Cuesta arrancar el motor o el motor no arranca en absoluto.

1. Verifique que la válvula de combustible esté en la posición ON (encendido).
2. Verifique que la palanca del anegador esté en la posición ON (encendido).
3. Asegúrese de que el tanque de combustible tenga suficiente combustible.
4. Drene el combustible del tanque y del carburador. Vuelva a llenar la unidad con gasolina fresca.
5. Retire e inspeccione la bujía. Limpie, seque, separe o reemplace según sea necesario.
6. Lleve la mini motocicleta a un mecánico calificado para que reemplace o repare los componentes defectuosos según sea necesario.

RECLAMACIÓN: El motor se cala.

1. Siga los procedimientos incluidos en la sección **Verificación/limpieza del filtro de aire** para asegurarse de que el filtro de aire esté limpio.
2. Verifique la posición correcta de la palanca del anegador.
3. Drene el combustible del tanque y del carburador. Vuelva a llenar la unidad con gasolina fresca.
4. Verifique la velocidad de ralentí y ajústela, si fuera necesario, siguiendo los procedimientos incluidos en la sección **Ajuste de la velocidad de ralentí**.
5. Lleve la mini motocicleta a un mecánico calificado para que reemplace o repare los componentes defectuosos según sea necesario.

GARANTÍA CON RESPECTO A LAS EMISIONES

BAJA, INC. – GARANTÍA DEL SISTEMA DE CONTROL DE EMISIONES PARA TODOS MODELOS 2010 O POSTERIORES

SUS DERECHOS Y OBLIGACIONES EN VIRTUD DE LA GARANTÍA

Esta garantía del sistema de control de emisiones es parte de su acuerdo de compra y se aplica al último comprador (la primera persona que, de buena fe, compra el producto para fines que no sean de reventa) y a cada comprador subsiguiente. El período de garantía del sistema de control de emisiones para este vehículo comienza en la fecha en que el último comprador lo pone en servicio por primera vez, y continúa por 30 meses luego de esa fecha, o de 5 000 km, lo que ocurra primero, de no mediar ningún tipo de abuso, descuido o mantenimiento incorrecto de su vehículo. Este vehículo está diseñado, fabricado y equipado para cumplir con las normas de emisiones de la Agencia de Protección Ambiental (Environmental Protection Agency, EPA) de los EE. UU. durante toda la vida útil del vehículo. Cuando exista una condición garantizable, Baja, Inc. reparará su vehículo sin costo alguno para usted, incluidos el diagnóstico, las piezas y la mano de obra. Si una pieza de su vehículo relacionada con las emisiones tiene algún defecto, Baja, Inc. la reparará o la reemplazará. Esta es su garantía de defectos del control de emisiones.

RESPONSABILIDADES DEL PROPIETARIO EN VIRTUD DE LA GARANTÍA

En su carácter de propietario del vehículo, usted es responsable de realizar el mantenimiento requerido. Debe llevar un registro de todo mantenimiento realizado a su vehículo y de conservar todos los recibos de mantenimiento de su vehículo. No se le puede negar una reclamación de garantía únicamente por no asegurar la realización de todo el mantenimiento establecido o la falta de registros o recibos de mantenimiento. Usted es responsable de llevar su vehículo a un distribuidor autorizado en cuanto se presente un problema. Las reparaciones de garantía deberán completarse en un período razonable, que no excederá los 30 días.

En su carácter de propietario del vehículo, debe saber que es posible que le nieguen la cobertura de la garantía si su vehículo o una pieza han presentado fallas debido a un abuso, descuido, mantenimiento incorrecto o modificaciones no aprobadas.

COBERTURA DE LA GARANTÍA

Baja, Inc. garantiza que cada nuevo vehículo:

- está diseñado, fabricado y equipado para cumplir, al momento de la compra inicial minorista, con todas las reglamentaciones aplicables de la Agencia de Protección Ambiental de los Estados Unidos y de la Junta de Recursos del Aire de California; y
- no tiene defectos materiales ni de fábrica que impidan que el vehículo cumpla con las reglamentaciones aplicables de la Agencia de Protección Ambiental de los Estados Unidos o de la Junta de Recursos del Aire de California por los períodos especificados anteriormente.

Su garantía del sistema de control de emisiones cubre los componentes cuya falla aumentaría las emisiones de un motor, incluidos los controles electrónicos, el sistema de inyección de combustible, el carburador, el sistema de encendido, el convertidor catalítico o cualquier otro sistema utilizado en este vehículo para controlar las emisiones en caso de estar equipado originalmente con dichos componentes. También pueden incluirse las mangueras, los conectores y otros conjuntos relacionados con las emisiones. Es responsabilidad del propietario reemplazar o reparar otros componentes (incluidas las piezas, la mano de obra y otros gastos) no cubiertos por esta garantía del sistema de control de emisiones o por la garantía estándar.

El uso de las piezas de repuesto que no sean equivalentes a las piezas originales puede menoscabar la efectividad del sistema de control de emisiones de su vehículo. Si se utiliza dicha pieza de repuesto y Baja, Inc. determina que esta tiene algún defecto o que causa una falla a una pieza bajo garantía, su reclamación de reparación para que su vehículo cumpla con las normas aplicables puede ser denegada.

Si se presenta una condición de inseguridad y de emergencia imputable a Baja, Inc., las reparaciones pueden ser realizadas en cualquier establecimiento de servicio disponible, o por el propietario, usando cualquier pieza de repuesto,

en la medida en que el operador intente restaurar el motor/equipo a su configuración correcta tan pronto como sea posible. Baja, Inc. reembolsará los gastos al propietario, incluidos los cargos de diagnóstico, sin exceder los precios minoristas sugeridos por Baja, Inc. por todas las piezas bajo garantía reemplazadas y para los cargos por mano de obra en función del margen de tiempo recomendado por Baja, Inc. para la reparación de garantía y de la tarifa de mano de obra por hora que corresponda geográficamente. Es posible que se requiera razonablemente al propietario que conserve los recibos y las piezas defectuosas, a fin de recibir la compensación correspondiente.

Esta Garantía del Sistema de Control de Emisiones es adicional a la Garantía Limitada estándar.

EXCLUSIONES Y LIMITACIONES

Esta garantía no cubre lo detallado a continuación:

- Fallas o funcionamiento defectuoso de los sistemas de control de emisiones causados por el uso incorrecto, alteración, accidente, uso indebido o el uso de gasolina con plomo.
- Reemplazo de elementos de mantenimiento no recuperables, a menos que formen parte del equipo original que presenten defectos materiales o de fábrica en condiciones de uso normal. Los elementos de mantenimiento no recuperables incluyen, entre otros, bujías, filtros, agentes de refrigeración, lubricantes, juntas, mangueras y correas.
- Reemplazos de piezas y otros servicios y ajustes para el mantenimiento requerido.
- Daño físico o defectos causados por incendio, explosiones o causas similares que estén fuera del control de Baja, Inc.
- Fallas que no estén causadas por un defecto material o de fábrica.

El uso del vehículo en cualquier tipo de carrera competitiva o evento relacionado anula esta y cualquier otra garantía inmediata y completamente. La inobservancia de la tabla de surtidores/los ajustes de altitud recomendados, si corresponde, u otras modificaciones no autorizadas, se considerará mantenimiento y uso del vehículo inadecuados, y puede provocar el rechazo de los reclamos de la garantía.

RESPONSABILIDAD LIMITADA

La responsabilidad de Baja, Inc. en virtud de esta Garantía del Sistema de Control de Emisiones se limita únicamente a la corrección de los defectos materiales o de fábrica por parte de un distribuidor autorizado en su oficina comercial durante las horas laborables habituales. Esta garantía no cubre ningún inconveniente ni pérdida por uso del vehículo ni el traslado del vehículo hacia/desde el distribuidor autorizado. Baja, Inc. no es responsable ante ninguna persona por daños incidentales, indirectos o especiales de ningún tipo, ya sea que surjan de una garantía expresa o implícita, o de cualquier otro contrato, negligencia u otro hecho ilícito, o de otro modo.

Baja, Inc. no brinda ninguna garantía expresa del sistema de control de emisiones, a excepción de lo establecido específicamente en el presente. Cualquier garantía del sistema de control de emisiones que esté implícita por ley, incluida cualquier garantía de comercialización o adecuación para un fin en particular, está limitada a los términos de la garantía expresa del sistema de control de emisiones incluidos en esta garantía. Las declaraciones de garantía antes mencionadas son exclusivas y reemplazan en su totalidad cualquier otro recurso. Queda eximida toda responsabilidad respecto de las garantías expresas no estipuladas en esta garantía. Algunos estados no permiten limitaciones respecto de la duración de una garantía implícita; por lo tanto, la limitación antes mencionada puede no ser aplicable si no coincide con la legislación estatal controlante.

Ningún distribuidor está autorizado a modificar esta Garantía del Sistema de Control de Emisiones. Si tiene alguna pregunta respecto de sus derechos y responsabilidades en virtud de la garantía, debe comunicarse con BAJA, INC. (888) 863-2252, 1428 Pearman Dairy Road, Anderson, SC 29625, o a la Junta de Recursos del Aire de California, 9528 Telstar Avenue, El Monte, CA 91731 (únicamente para vehículos registrados en California).

ESPECIFICACIONES DEL PRODUCTO

DIMENSIONES Y MASA EN SECO:

Longitud total	66,14 pulg. (1 680 mm)
Ancho total.....	30,3 pulg. (769,6 mm)
Altura total	40 pulg. (1 016 mm)
Distancia entre ejes.....	45,28 pulg. (1 150 mm)
Distancia al suelo	4,9 pulg. (124,5 mm)
Altura del asiento.....	24,6 pulg. (624,8 mm)
Peso en seco.....	154,3 lb. (70 kg)

MOTOR:

Dirección.....	Embrague centrífugo
Giro del eje de toma de fuerza (Power Take-Off, PTO)	Hacia la izquierda
Calibre y carrera	2,68 x 2,13 pulg. (68 mm x 54,1 mm)
Cilindrada del motor	196 cc
Relación de compresión	8:5:1
Método de arranque	Arranque por tracción retráctil
Holgura de la válvula	IN: 0,15 ± 0,02 mm EX: 0,20 ± 0,02 mm
Velocidad de ralentí	1 500 ± 100 RPM

SISTEMA ELÉCTRICO:

Tipo de encendido	TCI
Bujía	NGK BP6ES
Separación de la bujía.....	0,024-0,028 pulg. (0,6-0,7 mm)

CAPACIDADES:

Lubricante del motor.....	0,53 cuarto (0,5 l) SAE15W40
Tanque de combustible.....	0,95 galón (3,6 l)
Carga rentable.....	200 lbs. (91 kg)

FRENOS:

Tipo de frenos	Traseros de tambor
----------------------	--------------------

NEUMÁTICOS:

Delanteros	19 x 7-8
Traseros	19 x 7-8

CALIFORNIA - PROPUESTA DE LEY NÚM. 65



ADVERTENCIA:

Este producto puede contener o emitir sustancias químicas consideradas por el estado de California como causantes de cáncer, defectos de nacimiento u otras alteraciones reproductivas. **Lávese las manos después de utilizar el aparato.**

Los vehículos de motor contienen combustible, aceites, líquidos, terminales de los polos de la batería y accesorios relacionados que contienen plomo, compuestos de plomo y otras sustancias químicas consideradas por el estado de California como causantes de cáncer, defectos de nacimiento u otras alteraciones reproductivas. Estas sustancias químicas se encuentran en vehículos, piezas y accesorios de vehículos, tanto nuevos como de repuesto. Cuando se les realiza mantenimiento técnico, estos vehículos generan aceite utilizado, líquidos de desecho, grasa, humos y partículas, todos conocidos por el estado de California como causantes de cáncer, defectos de nacimiento u otras alteraciones reproductivas.

BAJA MOTORSPORTS

1428 Pearman Dairy Road
Anderson, SC 29625, USA
1-888-863-2252
www.bajamotorsports.com

Baja Motorsports®

⚠ WARNING ⚠ AVERTISSEMENT ⚠ ADVERTENCIA

Improper use of this vehicle can result in SEVERE INJURY OR DEATH.
L'utilisation incorrecte de ce véhicule peut causer DES BLESSURES SÉVÈRES ou LA MORT.
El uso inadecuado de vehículo puede provocar LESIONES GRAVES o la MUERTE



Made in China
Fabriqué en Chine
Fabricado en China

- Always use an approved helmet and protective gear / Portez toujours un casque approuvé et un équipement de protection. / Use siempre un casco aprobado y equipo de protección.
- Never use on public roads—a collision can occur with another vehicle. / Ne conduisez jamais sur des voies publiques -- une collision avec un autre véhicule peut se produire. / Nunca use el vehículo en la vía pública -- puede producirse un choque con otro vehículo..
- Never carry passengers/ Ne jamais transporter des passagers / Nunca lleve con pasajeros.
- Never use with drugs or alcohol. / Ne pas utiliser avec les drogues ou l'alcool. / Nunca lo utilice con drogas o alcohol.
- Never attempt wheelies, jumps or other stunts. / Ne tentez jamais de wheelies, des sauts, ou autres cascades / No intente hacer acrobacias, saltos u otras acrobacias.

NEVER operate / Ne conduisez **JAMAIS** / **NUNCA** opere el vehículo :

- without proper training or instruction. / sans avoir reçu une formation et des instructions appropriées. / sin capacitación o instrucción adecuadas.
- at speeds too fast for your skills or the conditions/ à des vitesses inadéquates pour votre habilité ou aux conditions. / a velocidades demasiado rápidas para sus habilidades o respecto de las condiciones.

The operator must **ALWAYS** / L'utilisateur doit **TOUJOURS** / El operador **SIEMPRE** debe :

- use proper riding techniques to avoid vehicle overturns on hills and rough terrain and in turns. / utilisez des techniques de conduire adéquates afin d'éviter le renversement du véhicule sur des collines, des terrains accidentés et pendant les virages. / usar técnicas de desplazamiento adecuadas para evitar que el vehículo se vuelque en las colinas, en terrenos áridos y en las curvas.
- avoid paved surfaces—pavement may seriously affect handling and control. / évitez les surfaces pavées. Celles-ci peuvent sérieusement affecter la manipulation et le contrôle. / evitar superficies pavimentadas: el pavimento puede afectar seriamente las maniobras y el control.

NOTICE / AVIS / AVISO



DO NOT USE FUEL CONTAINING MORE THAN 10% ETHANOL; IT IS A VIOLATION OF U.S. FEDERAL LAW, WILL DAMAGE YOUR PRODUCT, AND VOID THE WARRANTY.

N'UTILISEZ PAS DE CARBURANT CONTENANT PLUS DE 10% D'ÉTHANOL, EST UNE VIOLATION DES LÉGISLATION FÉDÉRALE AMÉRICANE, PEUT ENDOMMAGER LE PRODUIT ET ANNULER LA GARANTIE.

NO UTILICE COMBUSTIBLE QUE CONTENGA MÁS DE UN 10% DE ETANOL, ES UNA VIOLACIÓN DE LA LEY FEDERAL DE EE.UU., PODRÍA DAÑAR EL PRODUCTO Y ANULAR LA GARANTÍA.

© 2014 Baja Inc. All Rights Reserved.